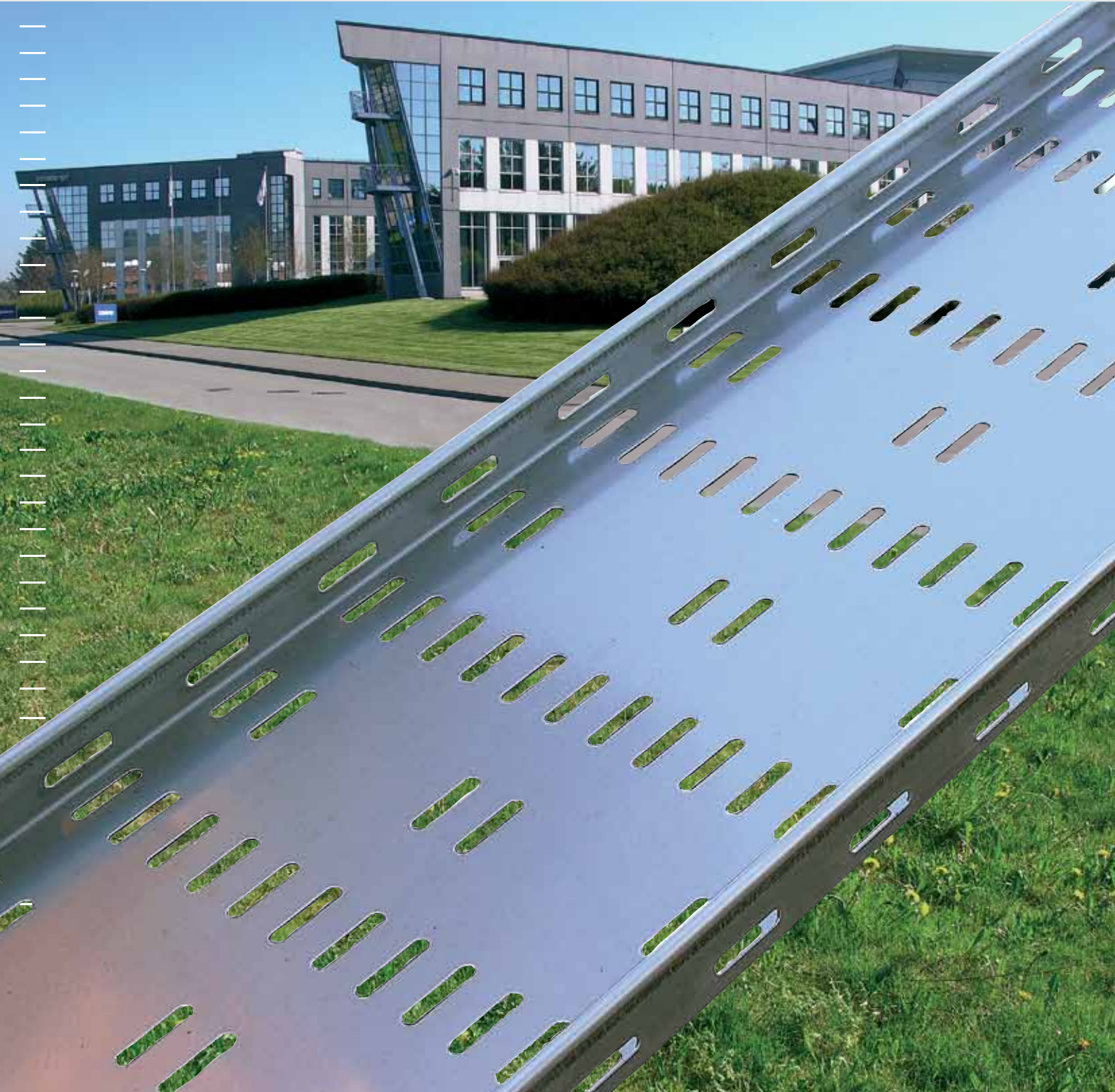




KABELBANESYSTEM CABLE TRAY SYSTEM Type SPB-LB



Being first is good, being smart is better, being both is Simply the Best!



PRODUKT- INFORMASJON

Øglænd System tilbyr opphengssystemer tilpasset alle faggrupper, kabelstiger, kabelbaner, koblingsboksstativ, rørklammer, kabelklammer (trefoil cleats), varmekabler, styringssystemer m.m.

**Har du spørsmål?
Vennligst ta kontakt.**

Firmapresentasjon
Company presentation

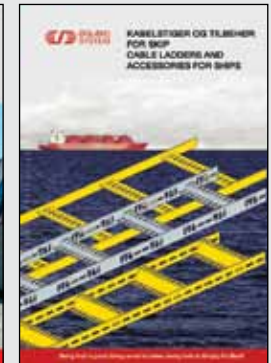
Last ned siste versjon av våre produktkataloger fra:

Download our latest version of product catalogues from: www.oglaend-system.com

PRODUCT INFORMATION

Oglaend System offer a broad range of cable support systems for all applications, e.g. cable ladders, cable trays, junction box racks, tubing clamps, cable cleats, heating cables, control systems etc.

**If you need further information,
please do not hesitate to contact us!**



MATERIAL NAVN / MATERIAL TYPES:

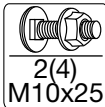
PG = Pregalvanisert stål	Pre galvanized steel	20 my zink
HDG = Varmgalvanisert	Hot Dip Galvanized	NS/ISO 1461*
SS = Rustfritt stål	Stainless Steel	AISI 316L**
AL = Aluminium	Aluminium	5052 H22/H32

*) Steel quality for HDG: Steel grade EN 10130 Grade DC01
 **) Steel quality for SS: EN 1.4404

Andre kvaliteter på forespørsel / Other material qualities on request.

SYMBOLER FOR SKRUER / SYMBOLS FOR SCREWS:

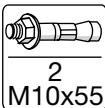
Symbolet viser skruetype, minimum antall og typebenevnelse. Bestillingsnummer er på s. 21.



This symbol shows type of screw, the number needed and name. For order no.- see page 21.

SYMBOLEKSEMPLER:

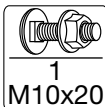
Ekspansjonsbolter
Behov: 2 stk.
Type M10x55



SYMBOL EXAMPLES:

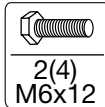
Expansion bolts
2 pcs. needed.
Type M10x55.

Låseskrue med linsehode
Behov: 1 stk.
Type M10x20



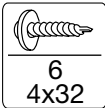
Locking screws
1 pcs. needed.
Type M10x20.

Sekskantskrue
Behov: Min. 2 stk.
(4) Kan brukes*.
Type M6x12



Hexagonal screws
Minimum 2 pcs. needed.
(4) May be used*.
Type M6x12.

Selvborende skrue
Behov: 6 stk.
Type 4x32



Self tapping screw
6 pcs. needed.
Type 4x32.

Standard:

Skruer er inkludert!
Oppgitt skruerantall før parentes leveres standard med delene.

Standard:

Screws are included!
The number of screws and nuts before the brackets are included when ordering the part.

(4) Skruer i parentes er IKKE inkludert!

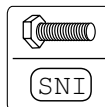
Ved spesielle forhold sikres montasjen med antall oppgitt i parentes. Disse ekstra skruene bestilles separat.

(4) Screws in brackets are NOT included!

The number in brackets represents the number of screws that can be fitted to fix the part. These must be ordered separately.

Skruer IKKE inkludert!

SNI: Skruer ikke inkludert.



Screws NOT Included!

SNI: Screws not included.

Lakkerte produkter

Standard farge på perforerte epoxy-lakkerte produkter, merket med (WE) er:

Hvit NCS 0502Y, med standard blankhetsgrad, glans 77 +/- 10%.

På uoperforerte (side 9): Hvit 0620-108, med standard blankhetsgrad, glans 35 +/- 10%.

Epoxy painted products

Standard colour on epoxy painted products marked (WE) is:

White NCS 0502Y, with standard glossiness, shine factor 77 +/- 10%.

On un-preslotted (page 9): White 0620-108, with standard glossiness, shine factor 35 +/- 10%.

Innhold: Contents:

Symbolforklaring Explanation of symbols	3
Baneprogram Range of Cable Trays	4
Tilleggsutstyr for baner Accessories for trays	6 - 9
Uperforerte hvitlakkerte baner Un-slotted white painted Trays	9
Veggoppheng Wall Support	10
Takoppheng Ceiling Support	12
Pendeloppheng for SPB-LB baner Central support for SPB-LB trays	14
Festevinkler Support Brackets	16
Opphengsutstyr i korrugert stålplatetak Support for corrugated steel roof	17
Brukertips Best Practices	18
Festemateriell / Gjengestag / Skruer Fixing products / Threaded rods / Screws	20
Perforerte profiler Perforated Profiles	22
Salgskontorer Locations	23



DNV Type Approval Certificate

Oglaend System's tray type SPB-LB, SPBE and SPB-RF are certified by DNV, certificate no. E-12546. The product range is tested according to IEC 61537.

Patenter og mønsterbeskyttelser

Mange av Øglænd System's produkter er patentert eller mønsterbeskyttet.

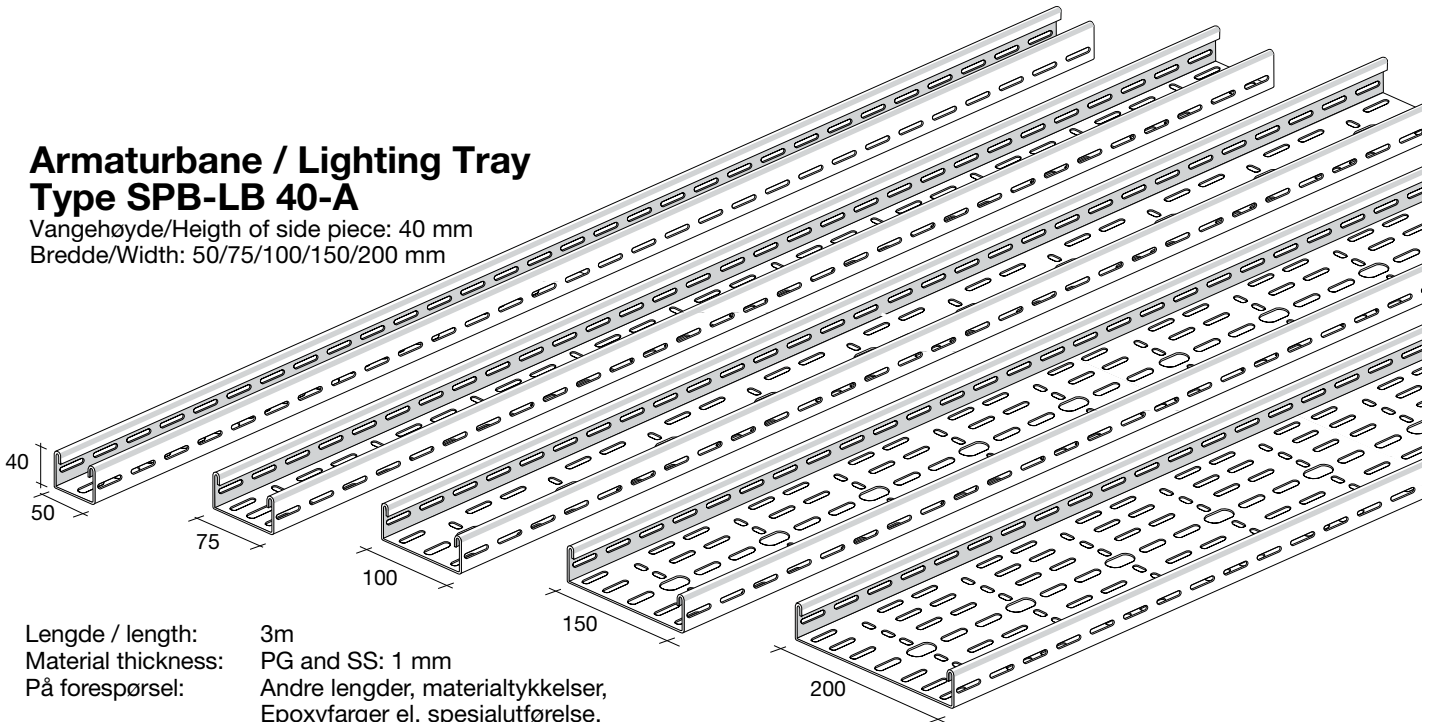
Patents and design applications

Many of Oglaend System's products are patented or protected by design applications.

Kabelbaneprogram / Range of Cable Trays

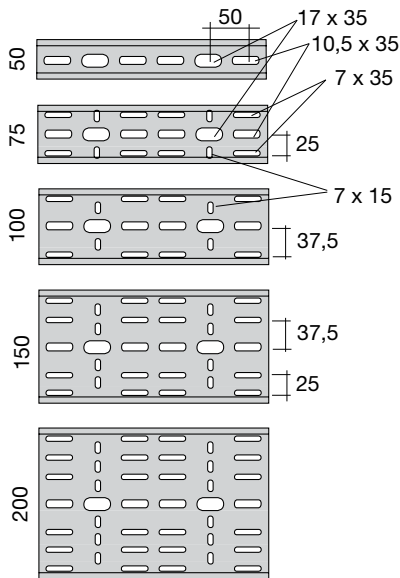
Armaturbane / Lighting Tray Type SPB-LB 40-A

Vangehøyde/Height of side piece: 40 mm
Bredde/Width: 50/75/100/150/200 mm



Lengde / length: 3m
Material thickness: PG and SS: 1 mm
På forespørsel: Andre lengder, materialtykkelser, Epoxyfarger el. spesialutførelse.
On request: Other lengths, material thicknesses, Epoxy colours or special treatment.

Hulldesign
Slot design



Alle med 10 mm senterhull for gjengestag.

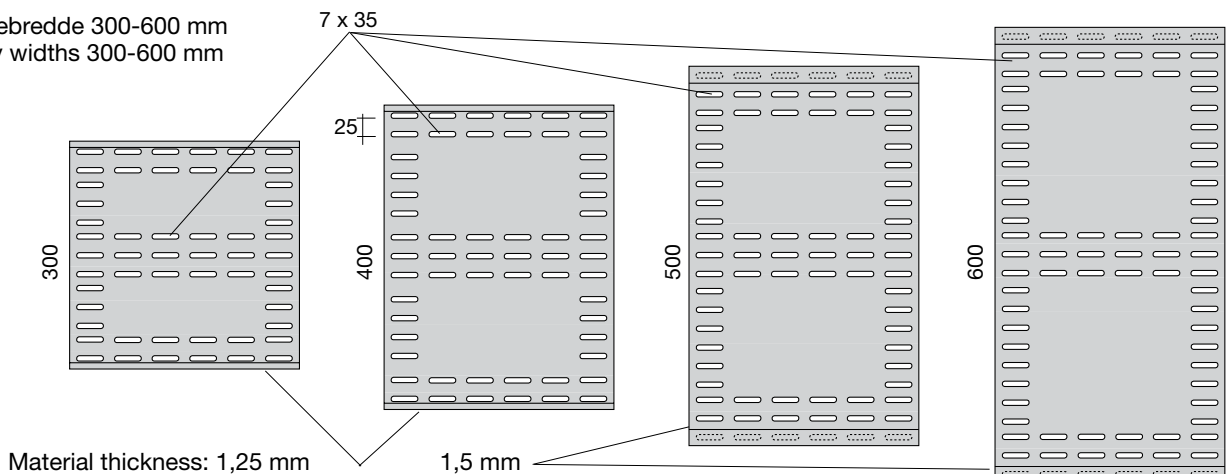
All with 10 mm center holes for threaded rod.

Armaturbane (A) Lighting tray (A) SPB-LB 40-A

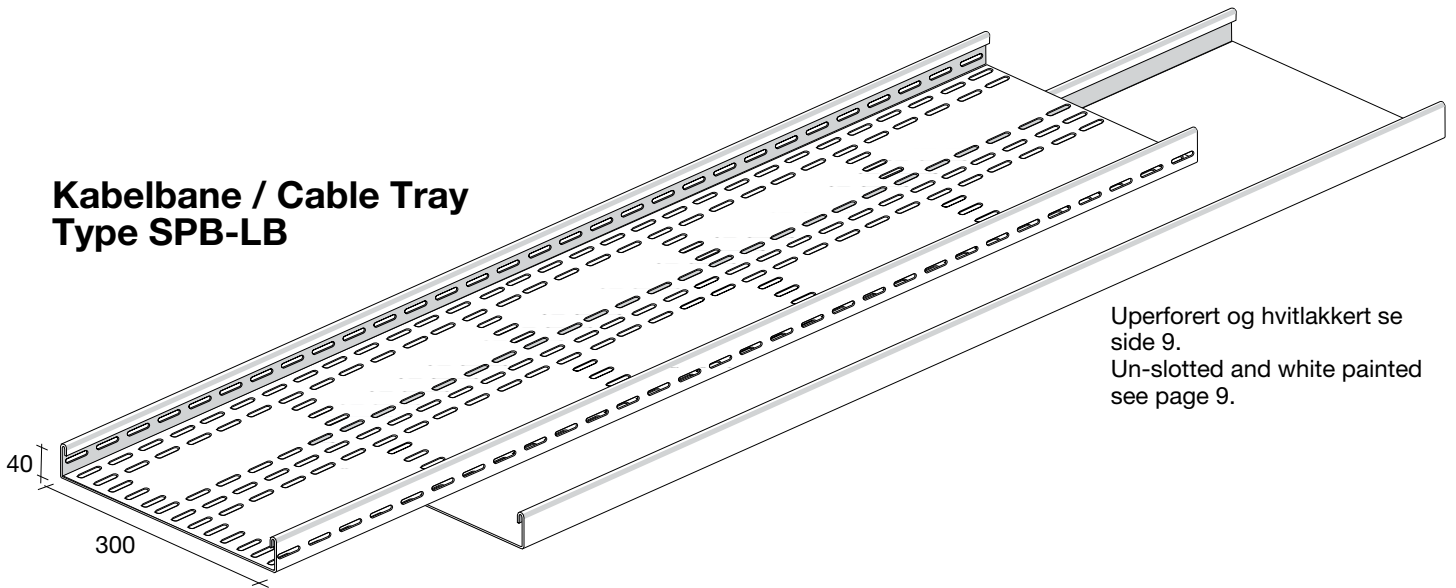
Type angir vangehøyde og banebredde.
Type states height of side piece and tray width.

Perforert Preslotted			Hvitlakkert Perforert White Epoxy Preslotted	
Type	PG Art. no.	SS Art. no.	Type	WE Art. no.
SPB-LB 40-A-50	1301000		SPB-LB 40-A-50	1301017
SPB-LB 40-A-75	1301001	1301038	SPB-LB 40-A-75	1301018
SPB-LB 40-A-100	1301002	1301039	SPB-LB 40-A-100	1301019
SPB-LB 40-A-150	1301003		SPB-LB 40-A-150	1301020
SPB-LB 40-A-200	1301004		SPB-LB 40-A-200	1301021

Hulldesign banebredde 300-600 mm
Slot design tray widths 300-600 mm



Kabelbane / Cable Tray Type SPB-LB



Uperforert og hvitlakkert se side 9.
Un-slotted and white painted see page 9.

Lengde / length: 3m
Material thickness: PG: 1 mm / 1,25 mm / 1,5 mm
På forespørsel: Andre lengder, materialtykkelser, Epoxyfarger el. spesialutførelse.
On request: Other lengths, material thicknesses, Epoxy colours or special treatment.

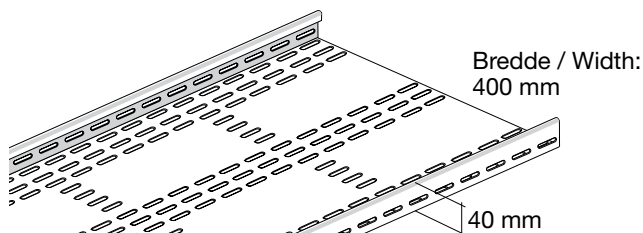
Kabelbane SPB-LB 40/55* Cable tray SPB-LB 40/55*

Type angir vangehøyde og banebredde.
Type states height of side piece and tray width.

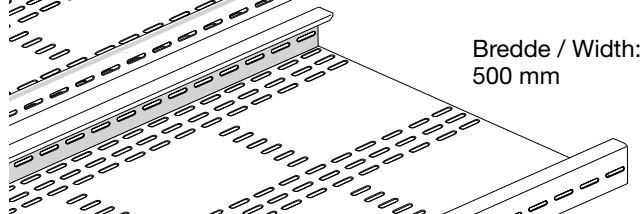
Perforert/Preslotted

Type	PG Art. no.	Type	PG Art. no.
SPB-LB 40-A-50	1301000	SPB-LB 40-300	1301005
SPB-LB 40-A-75	1301001	SPB-LB 40-400	1301006
SPB-LB 40-A-100	1301002	SPB-LB 55-500	1301007
SPB-LB 40-A-150	1301003	SPB-LB 55-600	1301008
SPB-LB 40-A-200	1301004		

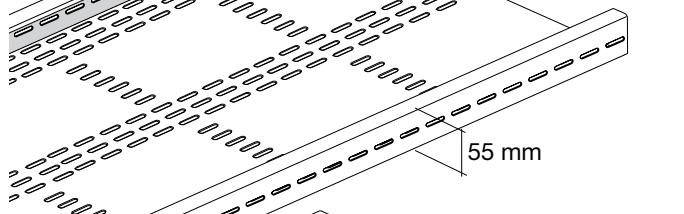
Uperforert / Uperforert hvitlakkert se s. 9.
Un-slotted / Un-slotted White painted see p. 9.



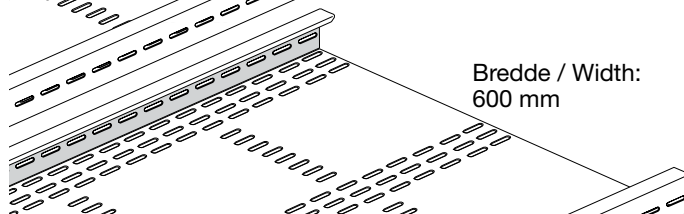
Bredde / Width:
400 mm



Bredde / Width:
500 mm



Bredde / Width:
600 mm



55 mm

BELASTNINGSTABELL SPB-LB: SWL (kg/m)

Alle tester er utført i henhold til IEC 61537.

LOADING TABLE SPB-LB: SWL (kg/m)

All tests are according to IEC 61537.

SWL: Safe Working Load

Bredde Width	Material mm	Opphengsavstand Support spacing	
		2,5 m	3,0 m
300 mm	1,25	75	44
400 mm	1,25		
500 mm*	1,5	75**	75**
600 mm*	1,5		

Tabellen viser maks. tillatt last ved sikkerhetsfaktor 1,7.
Testprosedyren betinger at lengden på endespennet reduseres til 3/4 av supportavstanden.

*) Breddene 500/600 har vangehøyde 55 mm.

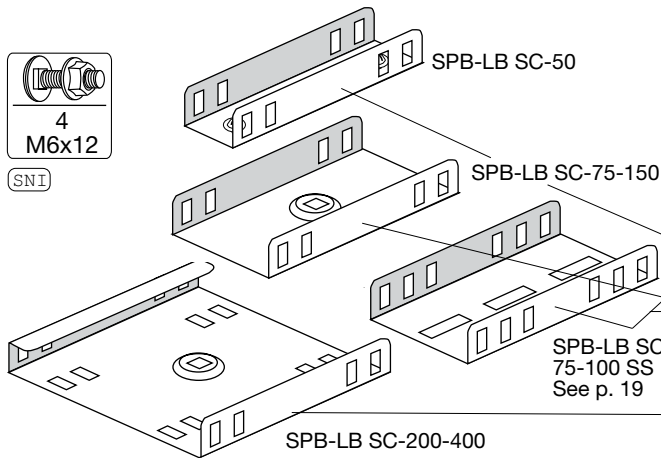
**) Maks. last ut fra estetiske hensyn.

The table indicates the maximum allowed uniformly distributed load. A safety factor of 1,7 is included.
According to the test procedure the length of the end span must be reduced to 3/4 of the support spacing.

*) The widths 500/600 have side piece height 55 mm.

**) Maximum load when including esthetical considerations.

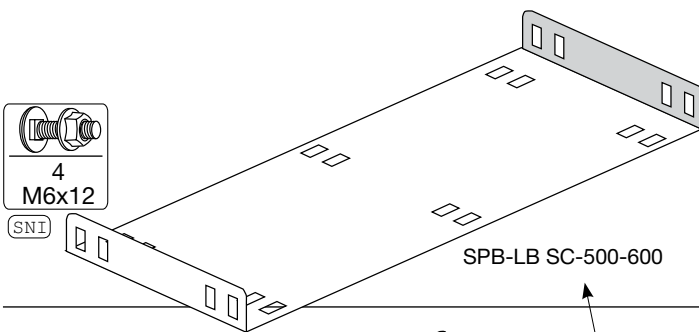
Tilleggsutstyr for baner / Accessories for trays



Innvendig skjøt/oppheg Inside Splice/Central Support

Type angir banebredde.
Type states tray width.

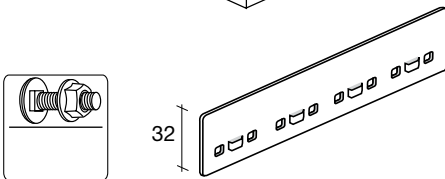
Type	PG Art. no.	SS Art. no.
SPB-LB SC-50	1301025	
SPB-LB SC-75	1301026	1301067
SPB-LB SC-100	1301027	1301068
SPB-LB SC-150	1301028	
SPB-LB SC-200	1301029	
SPB-LB SC-300	1301030	
SPB-LB SC-400	1301031	



Innvendig skjøt Inside Splice Connector

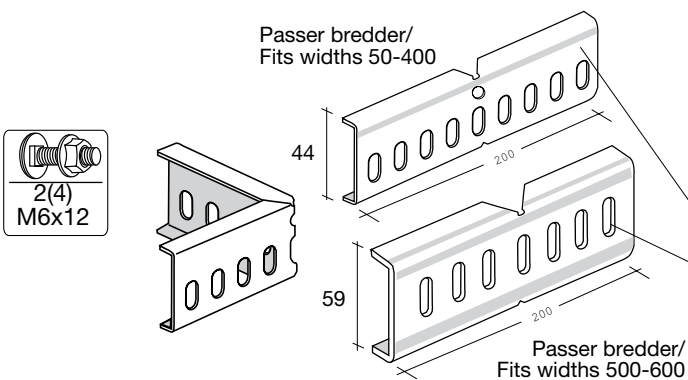
Type angir banebredde.
Type states tray width.

Type	PG Art. no.
SPB-LB SC-500	1301032
SPB-LB SC-600	1301033



Skjøtelask med knaster. Splice Connector with notches.

Type	PG Art. no.
SPB-LB SC	1301035



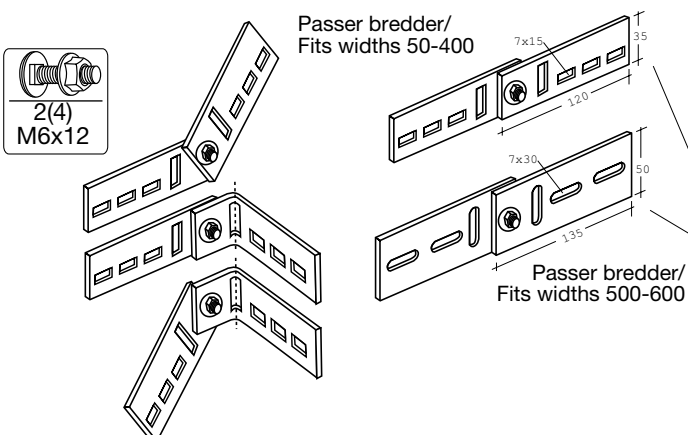
Hengse horisontal

For horisontal vinkelmontasje. Bøyes etter behov.

Hinge Horizontal

For horizontal angle installation. Bends to fit.

Type	PG Art. no.
SPB-LB HH	1301036
SPB/LOE-55 HH	1371598



Hengse vertikal

For valgfri vertikal/horisontal vinkelmontasje. Bøyes etter behov.

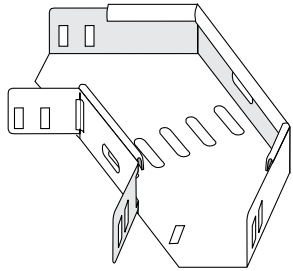
Hinge Vertical

Flexible hinge for vertical/horizontal angles. Bends to fit.

Type	PG Art. no.
SPB-LB HV	1301037
SPB/LOE-55 HV	1371555



SNI



Bend 90° / Flat Elbow 90°

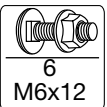
Type angir banebredde.

Type states tray width.

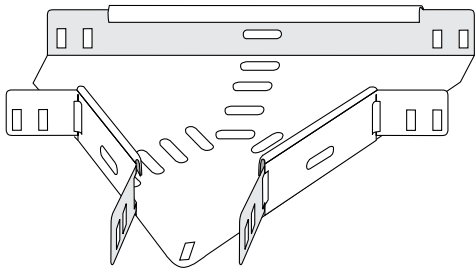
Type	PG Art. no.	WE Art. no.
SPB-LB 90-50	1301040	1303400
SPB-LB 90-75	1301041	1303401
SPB-LB 90-100	1301042	1303402
SPB-LB 90-150	1301043	1303403
SPB-LB 90-200	1301044	1303404
SPB-LB 90-300	1301045	
SPB-LB 90-400	1301046	
SPB-LB 90-500	1301047	
SPB-LB 90-600	1301048	

Monteres uten behov for skjøtelask.

No need for splice connectors.



SNI



T-avgreining / Tee-Piece

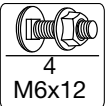
Type angir banebredde.

Type states tray width.

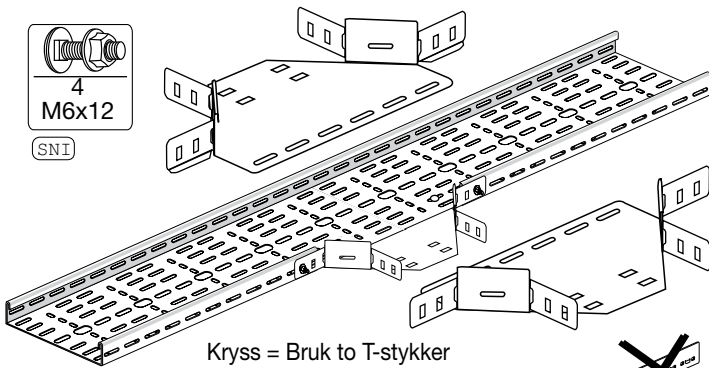
Type	PG Art. no.	WE Art. no.
SPB-LB TE-50	1301050	1303409
SPB-LB TE-75	1301051	1303410
SPB-LB TE-100	1301052	1303411
SPB-LB TE-150	1301053	1303412
SPB-LB TE-200	1301054	1303413
SPB-LB TE-300	1301055	
SPB-LB TE-400	1301056	
SPB-LB TE-500	1301057	
SPB-LB TE-600	1301058	

Monteres uten behov for skjøtelask.

No need for splice connectors.



SNI



Kryss = Bruk to T-stykker
Cross piece = Use two Tee-pieces



T-stykke (enkelt) / Tee-Piece (simple)

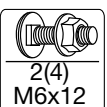
Type angir banebredde.

Type states tray width.

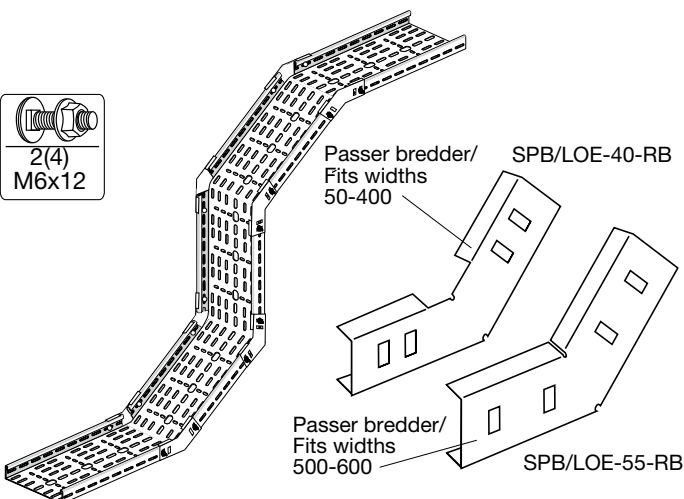
Type	PG Art. no.
SPB-LB TL-50	1301085
SPB-LB TL-75	1301086
SPB-LB TL-100	1301087
SPB-LB TL-150	1301088
SPB-LB TL-200	1301089

Monteres uten behov for skjøtelask.

No need for splice connectors.



SNI



45° VINKELBESLAG

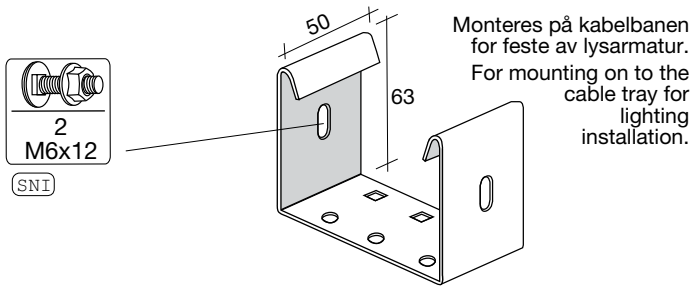
45° Riser Bracket

45° + 45° = 90°

Type	PG Art. no.
SPB-LB RB-45	1301065
SPB/LOE-55 RB-45	1371540

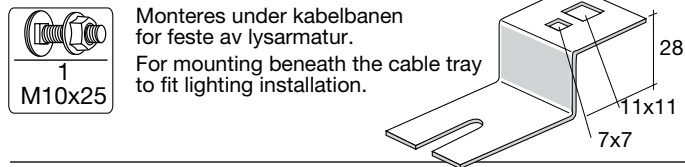
Beslaget er laget for å eliminere skarpe overganger.
Se brukertips på side 22.

The bracket is made to avoid sharp edges.
Please see page 22 for best practice.



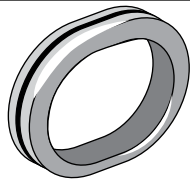
Armaturfeste / Light Bracket

Type	PG Art. no.
A-SPB-LB LB-50	1301075
A-SPB-LB LB-75	1301076
A-SPB-LB LB-100	1301077
A-SPB-LB LB-150	1301078
A-SPB-LB LB-200	1301079



Lysfeste / Light Bracket

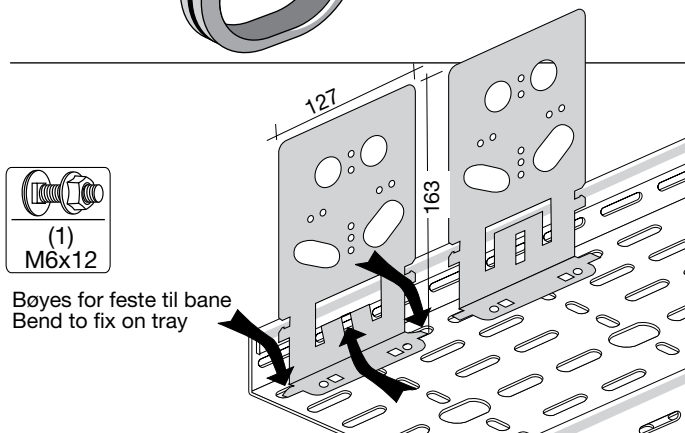
Type	PG Art. no.
A-SPB LB-Z	1372818



BESKYTTELSESFORING For kabel-føring gjennom hull i bane. Selvslukkende material.

CABLE PROTECTOR For routing of cables through holes in tray. Produced in flame retardant material.

Type: A-SPB EP-O Art. no. 1371855



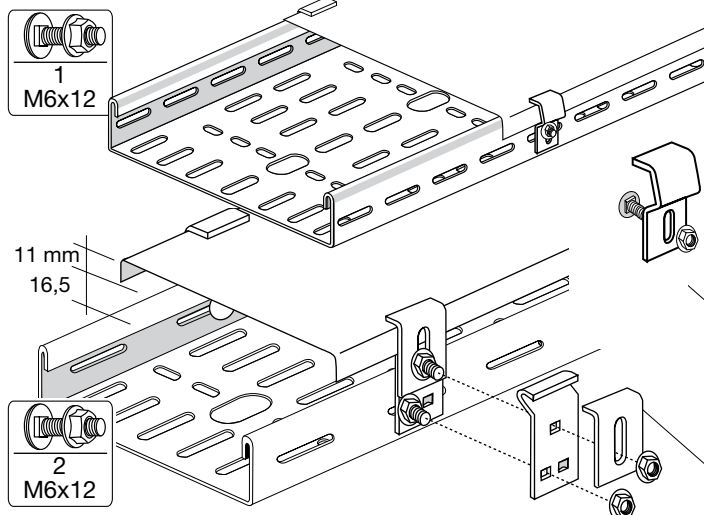
Stikkontaktfeste / Socket Plate

Type	PG Art. no.	HDG Art. no.
A-SPB/LOE SO	1301082	1371592

Festes på SPB-LB bane med klipsfestene som bøyes. På banebredde 500 og 600 anvendes 1 stk. låseskrue M6x12. Passer også til bruk på LOE-stigen.

Fix to SPB-LB tray by bending the preslotted tabs. On tray widths 500 and 600 use 1 pcs. locking screw M6x12. Made to also fit the LOE-ladder.

Deksel for 45°/90° bend, T-avgr. og kryss kan leveres. Cover for 45°/90° bend, T-pieces and cross on request.



Deksel / Cover L: 3m.

Type	PG Art. no.	Type	PG Art. no.
SPB-LB CO-50	1372482	SPB/LOE CO-300	1371558
SPB-LB CO-75	1372480	SPB/LOE CO-400	1371559
SPB-LB CO-100	1372483	SPB/LOE CO-500	1371560
SPB-LB CO-150	1372484	SPB/LOE CO-600	1371561
SPB/LOE CO-200	1371557		

Dekselkrok / Cover Clip

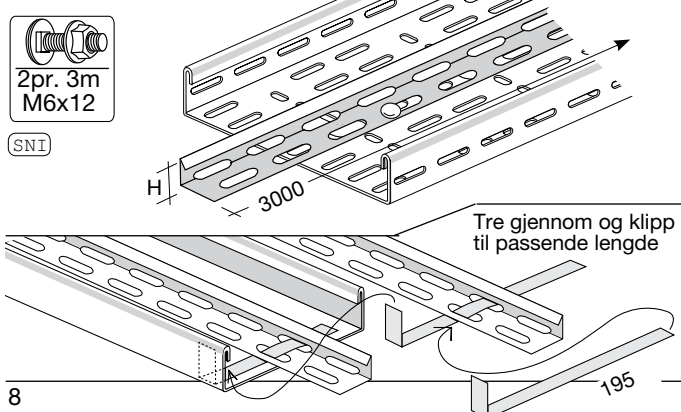
Bruk 4 stk. pr. 3m deksel / Use 4 clips per 3m cover

Type	HDG Art. no.	SS Art. no.
SPB/LOE-55 CC	1372672	

Dekselløftekrok / Raised Cover Clip

For ventilert deksel / For ventilated cover

Type	SS Art. no.
SPB-RF/LOE-55 CC-V	70001



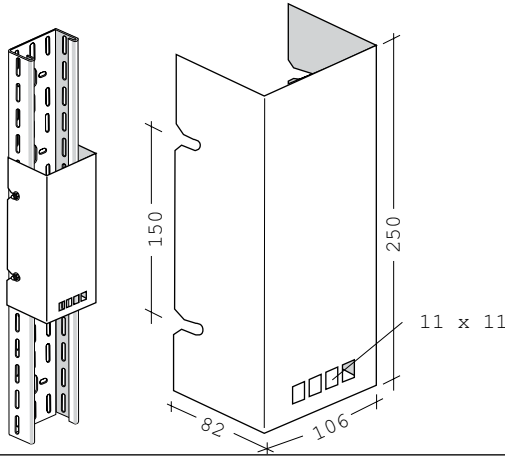
Skilleplate / Divider

Type	PG Art. no.	HDG Art. no.
SPB/LOE DI-22	1371571	1371572
SPB/LOE DI-42		1372783

Leveres i 3m lengde / Supplied in 3m length.

Vinkel for feste av skilleplate i uperført bane. **Bracket** to fix divider to unperforated tray.

Type	PG Art. no.
S-M AB-15x195	1372422



Utstyrbrakett for kabelbane med bredde 100 mm.

Klargjort med hull for Tagplate og strekkavlasting.

Utstyr monteres med selv borende SS skruer.

Equipment Brackets for cable tray width 100 mm.

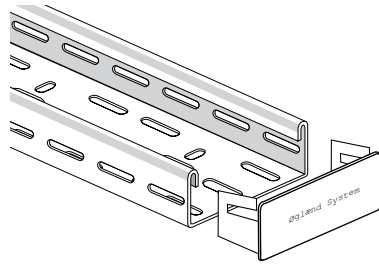
Supplied with fixing holes for Tag Plates or Stretch Preventers.

Use self tapping s/s screw to fix to the equipment bracket.

Type	PG Art. no.:
A-SPB EB	1301080

På forespørsel produserer vi utstyrbraketter med nøyaktige festehull tilpasset dine deler.

Ask for specially made equipment bracket with the exact combination of fixing holes to fit your items.



Endedeksel / End cover

Type	PG Art. no.	WE Art. no.
SPB-LB-EC-50	1306800	1306831
SPB-LB-EC-75	1306801	1306832
SPB-LB-EC-100	1306802	1306833
SPB-LB-EC-150	1306803	1306834
SPB-LB-EC-200	1306804	1306835
SPB-LB-EC-300	1306805	1306836

Uperforerte hvitlakkerte baner / Un-slotted white painted trays

Leveres i epoxybelagt plate. **Fargekode:** 0620-108 glans 35.
Supplied in epoxycoated plate. **Color code:** 0620-108 gloss 35.

WE material thickness: Widths 100-400 mm: 1 mm.
Widths 500-600 mm: 1,5 mm.

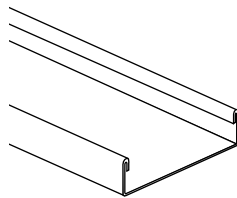
Kabelbane SPB-LB 40/55 Cable tray SPB-LB 40/55

Type angir vangehøyde og banebredde.

Type states height of side piece and tray width.

Skjøtes med standard innvendig skjøt (side 6).

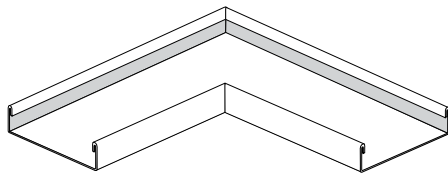
Splice with standard inside splice (page 6).



Uperforert Un-slotted

Uperforert Hvitlakkert Un-slotted White painted

Type	PG Art. no.	Type	WE Art. no.
SPB-LB 40-U-100	1301010	SPB-LB 40-U-100	1303351
SPB-LB 40-U-150	1301011	SPB-LB 40-U-150	1303352
SPB-LB 40-U-200	1301012	SPB-LB 40-U-200	1303353
SPB-LB 40-U-300	1301013	SPB-LB 40-U-300	1303354
SPB-LB 40-U-400	1301014	SPB-LB 40-U-400	1303355
SPB-LB 55-U-500	1301015	SPB-LB 40-U-500	1303356
SPB-LB 55-U-600	1301016	SPB-LB 40-U-600	1303357



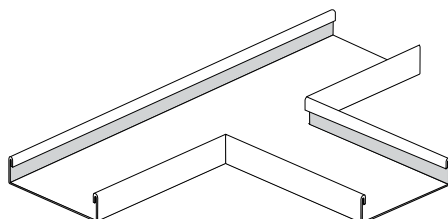
Bend danner skjøt ved å overlape banen og skjuler (evnt.) kappsoner. Fest med popnagler.

The elbow slides on to the tray hiding any cut zones. Use rivits to fasten.



Bend 90° / Flat Elbow 90°

Type	PG Art. no.	Type	WE Art. no.
SPB-LB 90-U-100	1306807	SPB-LB 90-U-100	1306819
SPB-LB 90-U-150			
SPB-LB 90-U-200	1306808	SPB-LB 90-U-200	1306820
SPB-LB 90-U-300	1306809	SPB-LB 90-U-300	1306821
SPB-LB 90-U-400	1306810	SPB-LB 90-U-400	1306822
SPB-LB 90-U-500	1306811	SPB-LB 90-U-500	1306823
SPB-LB 90-U-600	1306812	SPB-LB 90-U-600	1306824



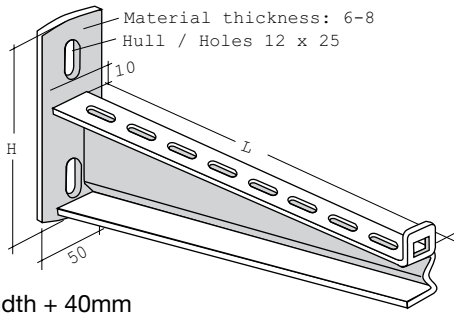
T-avgreining / TEE-Piece

Type	PG Art. no.	Type	WE Art. no.
SPB-LB TE-U-100	1306813	SPB-LB TE-U-100	1306825
SPB-LB TE-U-200	1306814	SPB-LB TE-U-200	1306826
SPB-LB TE-U-300	1306815	SPB-LB TE-U-300	1306827
SPB-LB TE-U-400	1306816	SPB-LB TE-U-400	1306828
SPB-LB TE-U-500	1306817	SPB-LB TE-U-500	1306829
SPB-LB TE-U-600	1306818	SPB-LB TE-U-600	1306830



Veggoppheng / Wall Support

Festes med / Fix with: 1 bolt max Ø 12mm



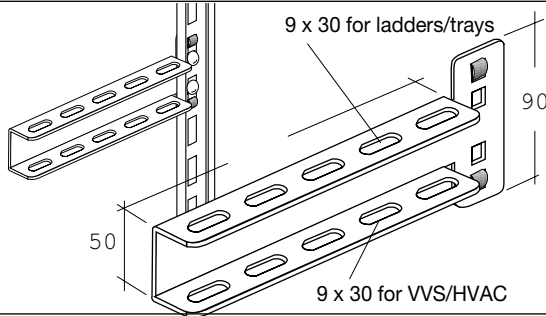
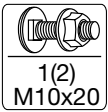
H = 94 (100-300)
H = 113 (400-600)

L = Type Bredde/Width + 40mm

Veggkonsoll for LOE-, RZ-stiger og SPB- baner.
Type angir stigebredde. Sikkerhetsfaktor 2.

Cantilever Arm for LOE, RZ ladders and SPB trays.
Type states ladder width. Safety factor 2.

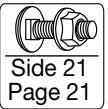
Type L	HDG Art. no.	SS Art. no.	AL Art. no.	Maks last Max. load (kg)	Weight SS (kg)
S-M CA-35-100	1372689	1302442	1372552	350	0,4
S-M CA-35-200	1372690	1302443	1372584	250	0,5
S-M CA-35-300	1372691	1302444	1372585	200	0,6
S-M CA-35-400	1372692	1302445	1372586	175	0,8
S-M CA-35-500	1372693	1302446	1372587	150	0,9
S-M CA-35-600	1372694	1302447	1372588	125	1,1



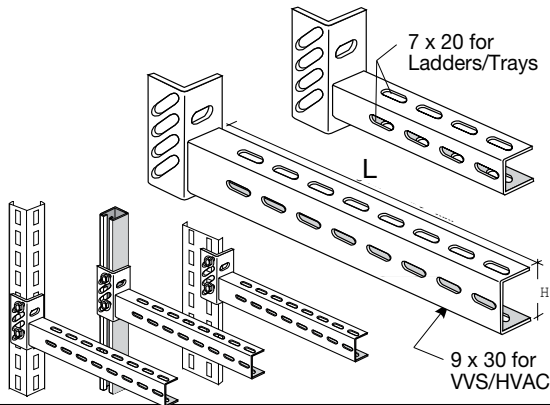
LOE skinnekonsoll for skinne CH 50-1.
Type angir stigebredde. Sikkerhetsfaktor 2.

Channel Brackets for channel CH 50-1.
Type states ladder width. Safety factor 2.

Type +B	PG Art. no.	Maks last Max. load (kg)
S-M CB-20-200	1372657	50
S-M CB-20-300	1372658	30



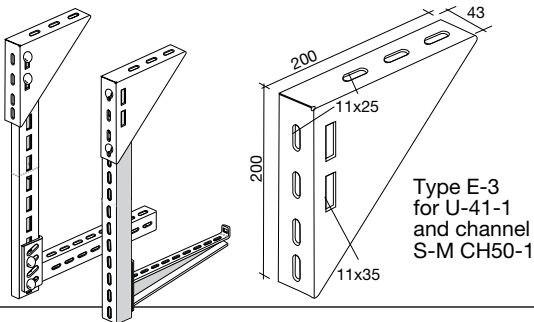
How to use:
Fits both
Mekano
and UNO



Skinnekonsoll for LOE, RZ-stiger og SPB-baner.
Type angir stigebredde. Sikkerhetsfaktor 2.

Channel Bracket for LOE, RZ ladders and
SPB trays. Type states ladder width. Safety factor 2.

Type	H + L	HDG Art. no.	SS Art. no.	Maks last Max. load (kg)	Weight SS (kg)
S-M CB-30-100	38 + 129	1302437	1371791	180	0,40
S-M CB-30-150	38 + 179	1302438	1371792	180	0,45
S-M CB-30-200	38 + 229	1302439	1371793	200	0,50
S-M CB-30-300	50 + 329	1302440	1371794	200	0,60
S-M CB-30-400	50 + 429	1302441	1371799	200	0,70



Takhengkonsoll for UNO skinner
Ceiling support for UNO Channels

Type	PG Art. no.	HDG Art. no.	SS Art. no.	Weight SS (kg)
S-UNO E-3	1304473	1304474	1304475	0,80

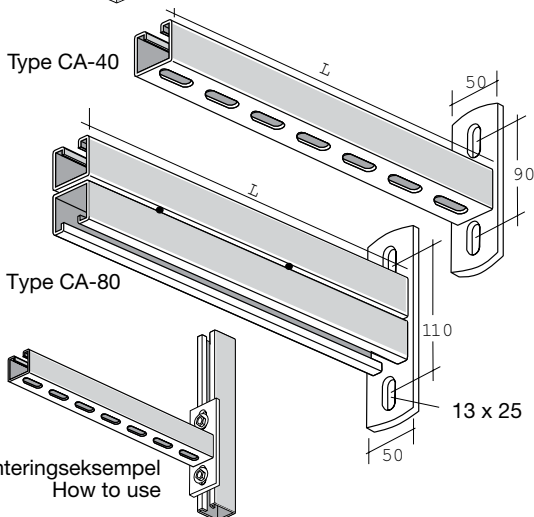
Konsoll

Type angir lengde. Andre lengder på forespørsel. Sikkerhetsfaktor 2.

Cantilever Arm

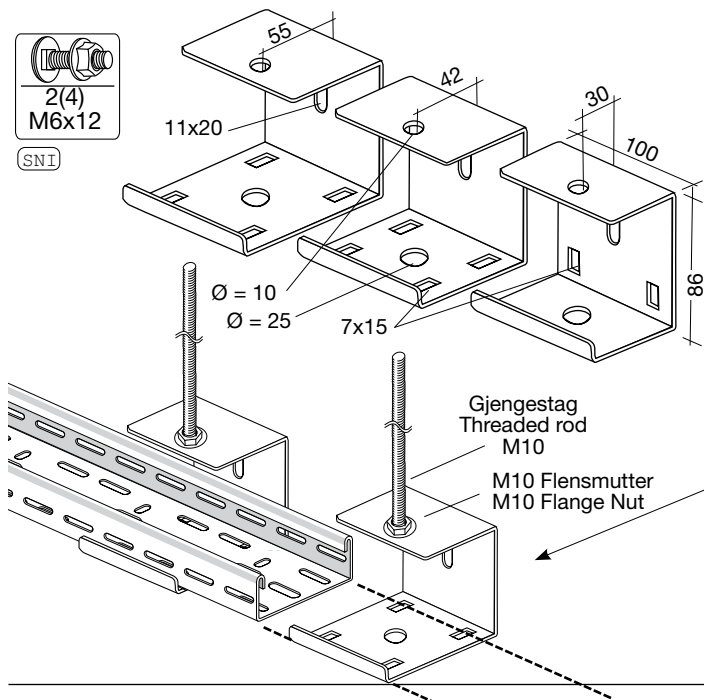
Type state length. Other lengths on request. Safety factor 2.

Type	HDG Art. no.	SS Art. no.	Maks last Max. load (kg)	Weight SS (kg)
S-UNO CA-40-200	1302300	1371880	500	0,7
S-UNO CA-40-300	1302301	1371881	500	0,9
S-UNO CA-40-400	1302302	1371882	360	1,1
S-UNO CA-40-500	1302303	1302311	230	1,3
S-UNO CA-40-600	1302304	1371883	180	1,5
S-UNO CA-40-800	1302305	1302312	145	1,9
S-UNO CA-40-1000	1302306	1302313	115	2,4



Monteringseksempel
How to use

S-UNO CA-80-450	1302307	1302314	400	2,4
S-UNO CA-80-600	1302308	1371884	300	3,4
S-UNO CA-80-750	1302309	1371885	200	4,0
S-UNO CA-80-900	1302310	1371886	175	4,7



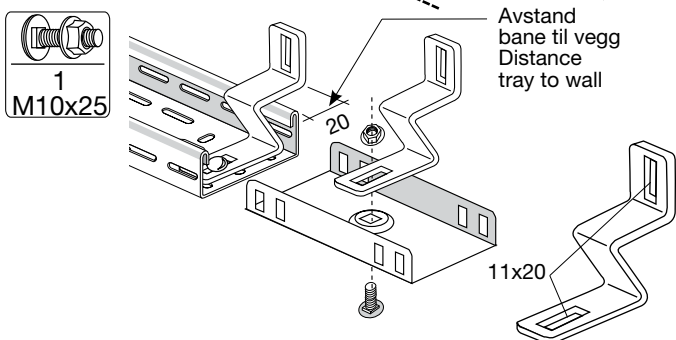
Opphengsbøyler Support Brackets

Type angir banebredde.
Type states tray width.

Type	PG Art. no.
S-SPB SB-50	1301090
S-SPB SB-75	1301091
S-SPB SB-100	1301092

Forbered enkel baneinstallasjon med klargjorte opphengsbøyler. Kan også brukes som skjøtestykke, som veggfeste og til tak.

Prepare easy tray installation with preadjusted support brackets. Can be used as splice connector, as wall bracket or fixed direct to ceiling.



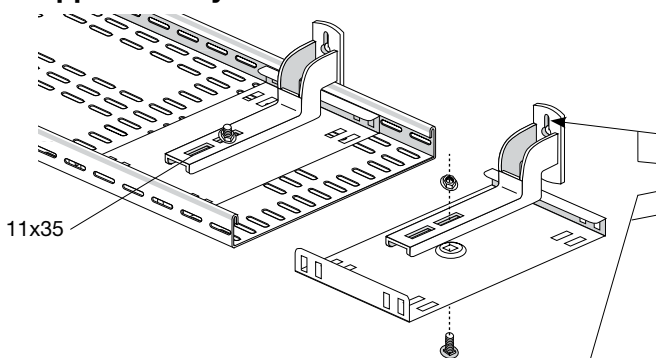
Innvendig veggbrakett Inside Cantilever Bracket

Type angir banebredde 50-200.
Type states tray width 50-200.

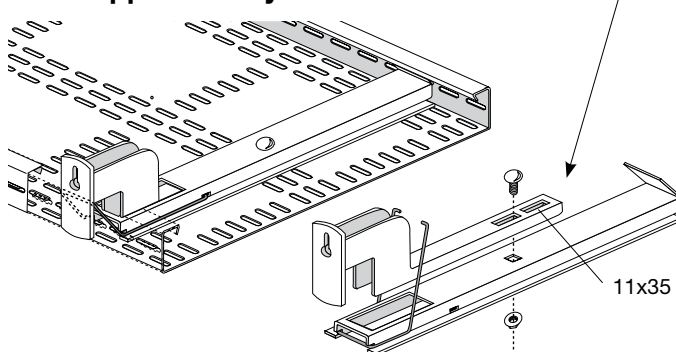
Type	PG Art. no.
S-SPB CA-IN-50	1301093
S-SPB CA-IN-75	1301094
S-SPB CA-IN-100	1301095
S-SPB CA-IN-150	1301096
S-SPB CA-IN-200	1301097

For tette baner, kombiner med innvendig skjøt.
For un-slotted trays, combine with inside splice.

Veggoppeng for breddene 300-400 mm Wall support of tray widths 300-400 mm



Veggoppeng for breddene 500-600 mm Wall support of tray widths 500-600 mm



Innvendig veggoppeng Inside Cantilever Bracket

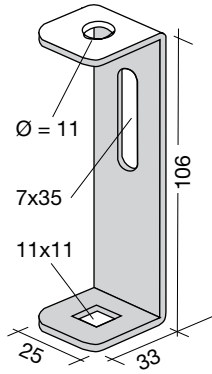
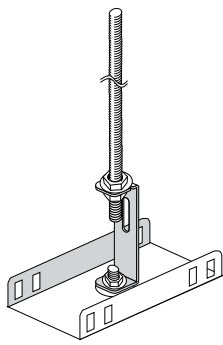
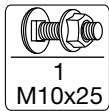
Type angir banebredde 300-600.
Type states tray width 300-600.

Type	PG Art. no.
S-SPB CA-IN-300	1301098
S-SPB CA-IN-400	1301099
S-SPB CA-IN-500	1301083
S-SPB CA-IN-600	1301084

Veggoppeng for breddene 300-600 leveres komplett med veggbrakett og innvendig oppheng. Se neste side.

Wall brackets for the widths 300-600 are supplied complete with inside support bracket. Please see next page.

Takoppheng / Ceiling Support



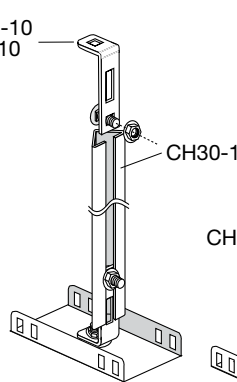
Opphengsvinkel / Support Bracket for banebredde / for tray width 50-200 mm

Type	PG Art. no.	WE Art. no.
S-SPB AB-33x106-10	1372719	1303417

Oppheng for banebredde 100-300 mm

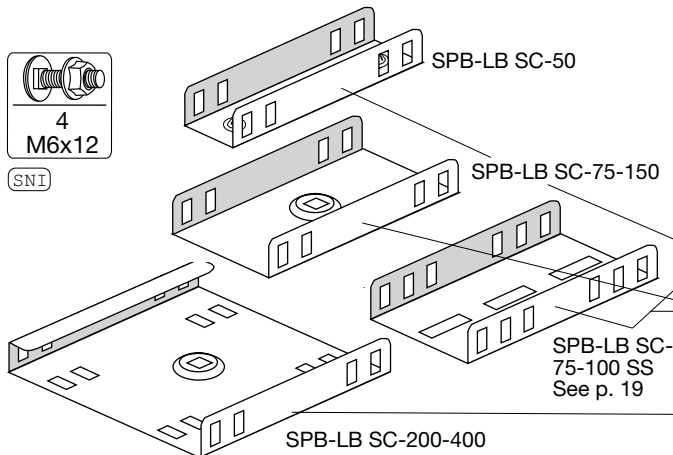
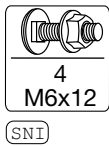
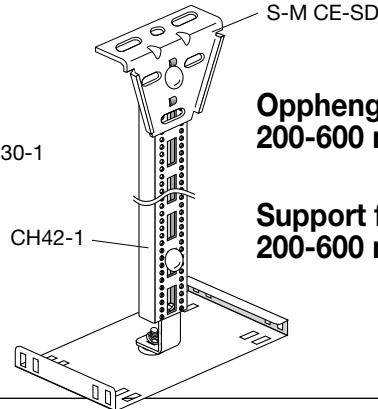
Support for tray width 100-300 mm

A-B 30x100-10
A-B 33x70-10



Oppheng for banebredde 200-600 mm

Support for tray width 200-600 mm



Innvendig skjøt/oppheng Inside Splice/Central Support

Type angir banebredde.
Type states tray width.

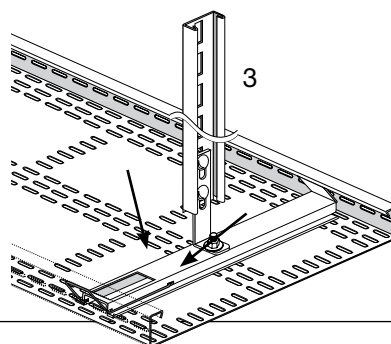
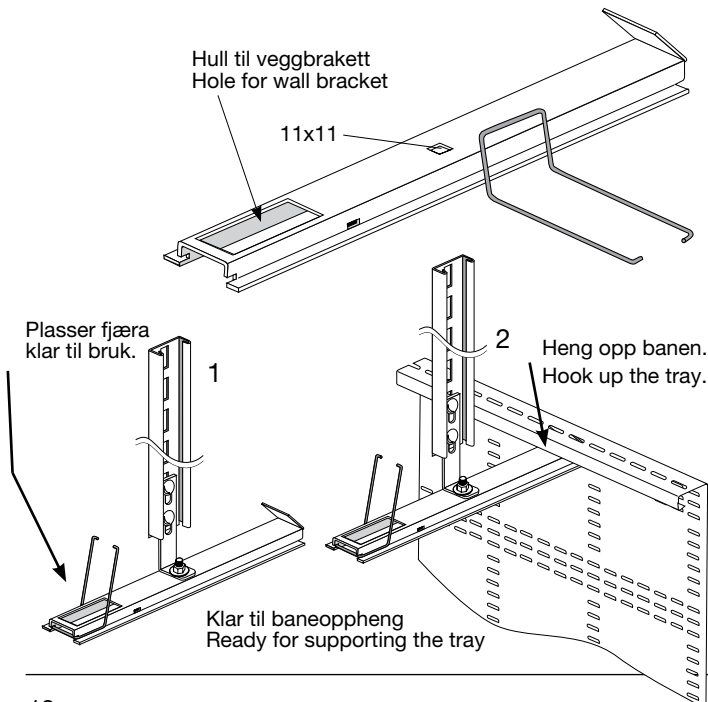
Type	PG Art. no.	SS Art. no.
SPB-LB SC-50	1301025	
SPB-LB SC-75	1301026	1301067
SPB-LB SC-100	1301027	1301068
SPB-LB SC-150	1301028	
SPB-LB SC-200	1301029	
SPB-LB SC-300	1301030	
SPB-LB SC-400	1301031	

Innvendig oppheng Inside Central Support Bracket

Type angir banebredde.
Type states tray width.

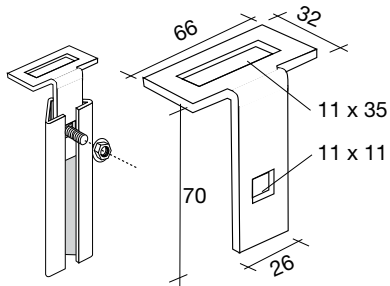
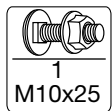
Type	PG Art. no.
SPB-LB CS-500	1301071
SPB-LB CS-600	1301072

Opphengsvinkler se s. 11 og 13.
Angle support also see p. 11 and 13.



Sving banen i posisjon og press benene på låsefjæren inn i tapp hullene og banen låses til braketten.

Swing the tray into position and press the spring legs into the tap holes to fix the tray to the bracket.



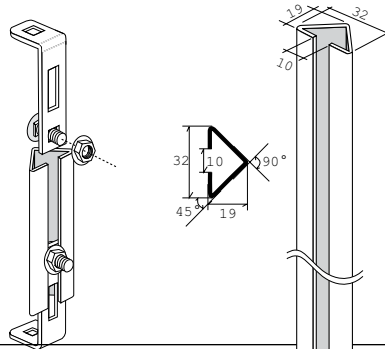
Opphengsvinkel / Support Bracket for banebredde / for tray width 100-300 mm

Type	PG Art. no.	WE Art. no.
S-SPB AB-32x70-10	1303316	1304486

Passer til skinne S-SPB 30-1.
Fits channel S-SPB 30-1.

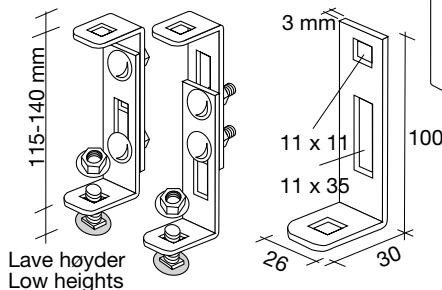
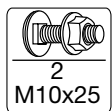
I bruk med vin-
kelbrakett
AB-30x100-10

In use with
Angle Bracket
AB-30x100-10



Skinne / Channel

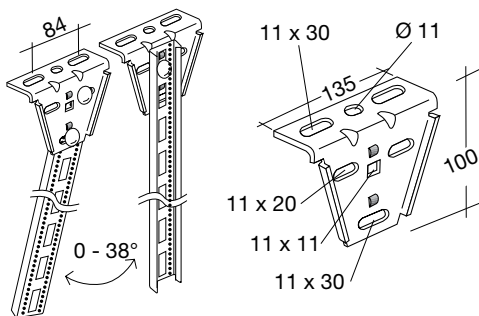
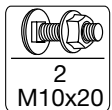
Type	PG Art. no.	WE Art. no.
S-SPB 30-1-300	1303318	1304488
S-SPB 30-1-450	1303319	1304489
S-SPB 30-1-900	1303320	1304490
S-SPB 30-1-3000	1303321	1304491



Opphengsvinkel / Support Bracket for banebredde / for tray width 100-300 mm

Type	PG Art. no.	WE Art. no.
S-SPB AB-30x100-10	1303315	1304485

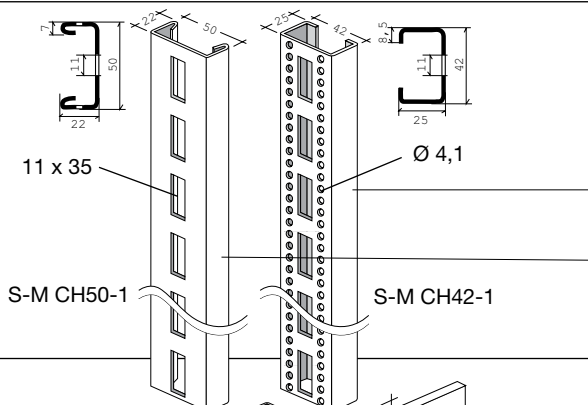
Passer til skinne S-SPB 30-1.
Fits channel S-SPB 30-1.



Takfeste justerbart 0 - 38° Ceiling Bracket adjustable 0 - 38°

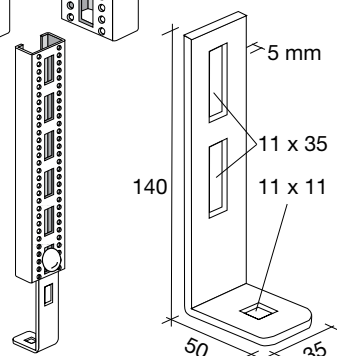
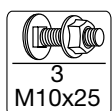
Type	PG Art. no.	HDG Art. no.	SS Art. no.	WE Art. no.
S-M CE-SD	1372151	1372150	1372385	1304487

Passer til skinne CH 50-1 og CH 42-1.
Fits channel CH 50-1 and CH 42-1.



Pendelskinne / Channel

Type	PG Art. no.	HDG Art. no.	SS Art. no.	WE Art. no.
S-M CH42-1-300	1303342		1303347	1304492
S-M CH42-1-450	1303343		1303348	1304493
S-M CH42-1-900	1303344		1303349	1304494
S-M CH42-1-3000	1303345		1303350	1304495
S-M CH50-1-3000		1371684	1371687	1306857

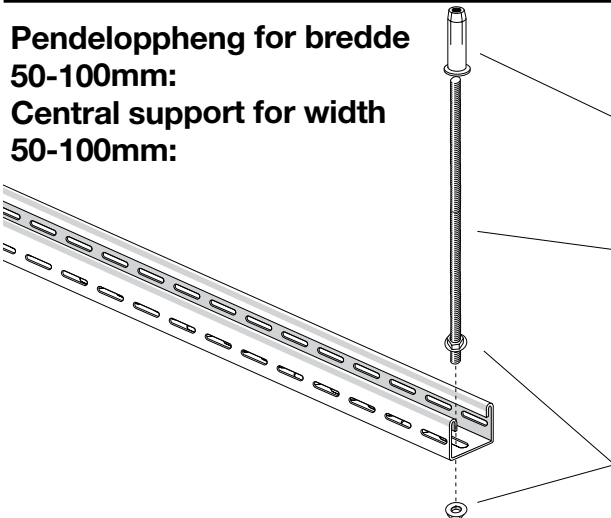
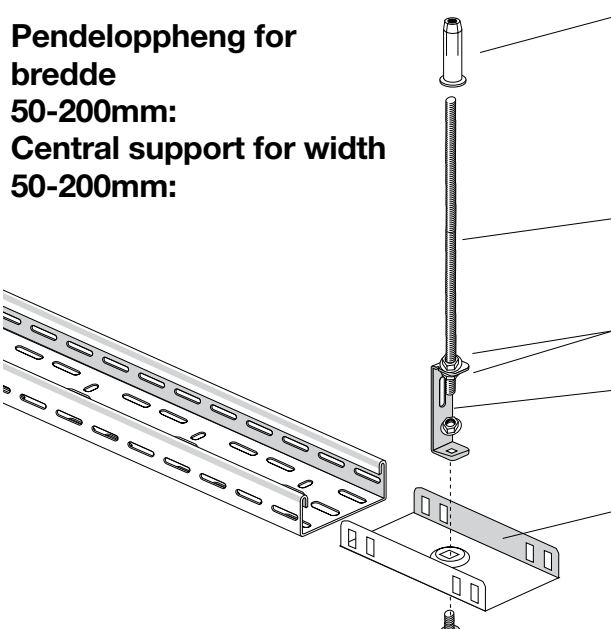
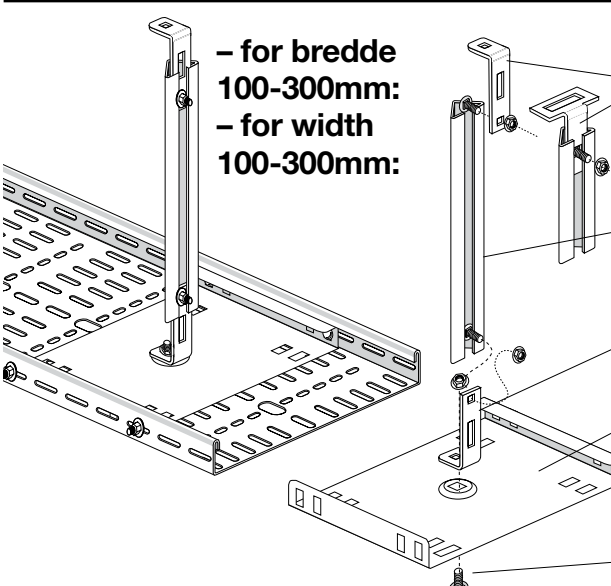


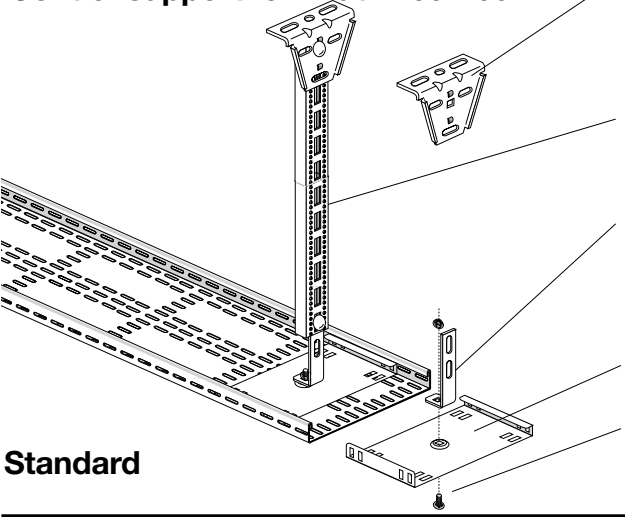
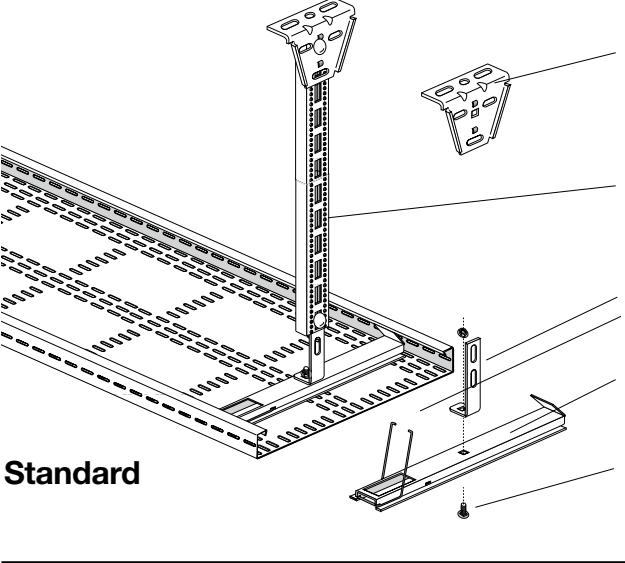
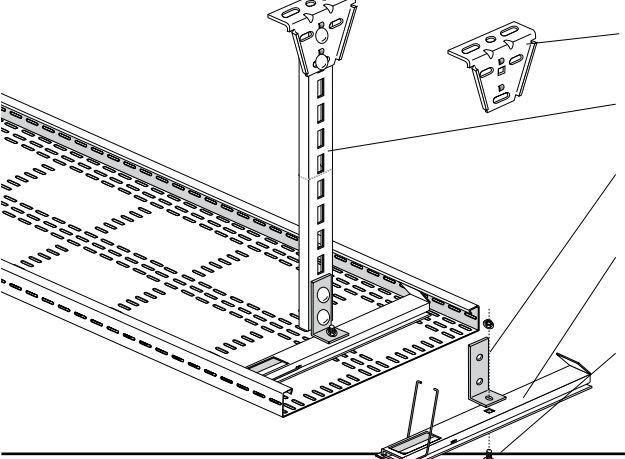
Opphengsvinkel / Support Bracket for banebredde / tray width 200-600 mm

Type	HDG Art. no.
S-SPB AB-50x140-10	1301081

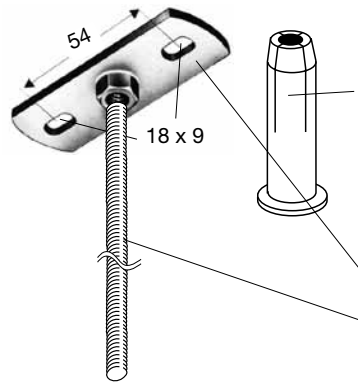
Passer til skinne S-M CH42-1.
Fits channel S-M CH42-1.

Pendeloppheng for SPB-LB bane PG / Central Support for SPB-LB tray PG

Anbefalt oppsett:	Velg / Choose: Art. no.:	Recommended solutions:
Pendeloppheng for bredde 50-100mm: Central support for width 50-100mm: 	1306850	Slaganker / Wedge Anchor S-M WE-M10
	1372738	Gjengestag / Threaded Rod Velg lengde her / Choose length
	1372739	S-M TR-10-300
	1372747	S-M TR-10-500
	1372746	S-M TR-10-1000
1372746	S-M TR-10-2000	
1372733	S-M A-SPB CO-TR-10	
1372180	2 x Flensmutter / 2 x Flenge Nut S-M NU-M10	
Pendeloppheng for bredde 50-200mm: Central support for width 50-200mm: 	1306850	Slaganker / Wedge Anchor S-M WE-M10
	1372738	Gjengestag / Threaded Rod Velg lengde her / Choose length
	1372739	S-M TR-10-300
	1372739	S-M TR-10-500
	1372747	S-M TR-10-1000
	1372746	S-M TR-10-2000
	1372733	S-M A-SPB CO-TR-10
	1372180	2 x Flensmutter / 2 x Flenge Nut S-M NU-M10
	1372719	Vinkel / Angle Bracket S-SPB AB-33x106-10
	1301025	Skjøt/oppheng / Splice/Support SPB-LB SC-50
1301026	SPB-LB SC-75	
1301027	SPB-LB SC-100	
1301028	SPB-LB SC-150	
1301029	SPB-LB SC-200	
1371980	Låsebolter (Inkludert) / Locking Bolts (Included) S-M LS-M10x25	
 - for bredde 100-300mm: - for width 100-300mm:	1303315	Opphengsvinkel / Angle Bracket S-SPB AB-30x100-10
	1303316	S-SPB AB-32x70-10
	1303318	Skinne / Channel Velg skinnelengde her / Choose pendular length
	1303319	S-SPB 30-1-300
	1303320	S-SPB 30-1-450
	1303321	S-SPB 30-1-900
	1303321	S-SPB 30-1-3000
	1303315	Vinkel / Angle Bracket S-SPB AB-30x100-10
	1301027	Skjøt/oppheng / Splice/Support SPB-LB SC-100
	1301028	SPB-LB SC-150
1301029	SPB-LB SC-200	
1301030	SPB-LB SC-300	
1371980	Låsebolt (Inkludert) / Locking Bolt (Included) S-M LS-M10x25	

Anbefalt oppsett:	Velg / Choose: Art. no.:	Recommended solutions:
<p>Pendeloppheng for bredde 200-400mm: Central support for width 200-400mm:</p>  <p>Standard</p>	1372151	Takfeste / Ceiling Bracket S-M CE-SD
	1303342 1303343 1303344 1303345	Skinne / Channel Velg skinnelengde her / Choose pendular length S-M CH42-1-300 S-M CH42-1-450 S-M CH42-1-900 S-M CH42-1-3000
	1301081	Vinkel / Angle Bracket S-SPB AB-50x140-10
	1301029 1301030 1301031	Skjøt/oppheng / Splice/Support SPB-LB SC-200 SPB-LB SC-300 SPB-LB SC-400
	1371980	Låsebolter (Inkludert) / Locking Bolts (Included) S-M LS-M10x25
<p>Pendeloppheng for bredde 500-600mm: Central support for width 500-600mm:</p>  <p>Standard</p>	1372151	Takfeste / Ceiling Bracket S-M CE-SD
	1303342 1303343 1303344 1303345	Skinne / Channel Velg skinnelengde her / Choose pendular length S-M CH42-1-300 S-M CH42-1-450 S-M CH42-1-900 S-M CH42-1-3000
	1301081	Vinkel / Angle Bracket S-SPB AB-50x140-10
	1301071 1301072	Oppheng / Support SPB-LB CS-500 SPB-LB CS-600
	1371980	Låsebolter (Inkludert) / Locking Bolts (Included) S-M LS-M10x25
<p>Pendeloppheng for bredde 500-600mm: Central support for width 500-600mm:</p> 	1372151	Takfeste / Ceiling Bracket S-M CE-SD
	1371684	Skinne / Channel S-M CH50-1-3000
	1302270	Vinkel / Angle Bracket S-UNO D-43
	1301071 1301072	Oppheng / Support SPB-LB CS-500 SPB-LB CS-600
	1371980	Låsebolter (Inkludert) / Locking Bolt (Included) S-M LS-M10x25

Festevinkler / Support Brackets



Slaganker / Wedge Anchor

Velegnet for hulldekke-element.
Suitable for concrete elements with channels.

	PG
S-M WE-M10x40	1306850

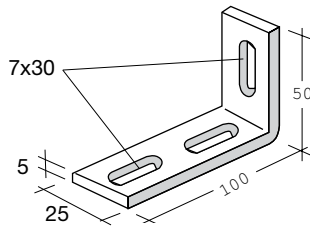
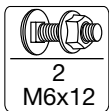
Takfeste tre Ceiling Bracket wood

Montasjeplate med påsveiset mutter.
Support plate with welded nut.

S-SPB CE-WO	1372865
-------------	---------

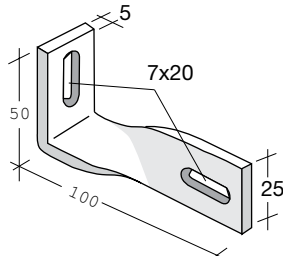
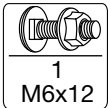
Gjenget stag se side 20.

Threaded rod see page 20.



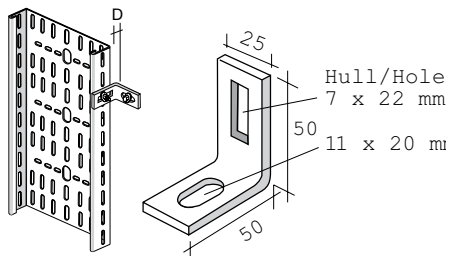
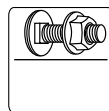
Vinkel / Angle Bracket

Type	HDG Art. no.	SS Art. no.	AL Art. no.
S-M AB-50x100-6	1372696	1372382	On request



Vridd vinkel / Twisted Bracket

Type	HDG Art. no.	SS Art. no.	AL Art. no.
S-M AB-TW-50x100-6	1372697	1372383	On request

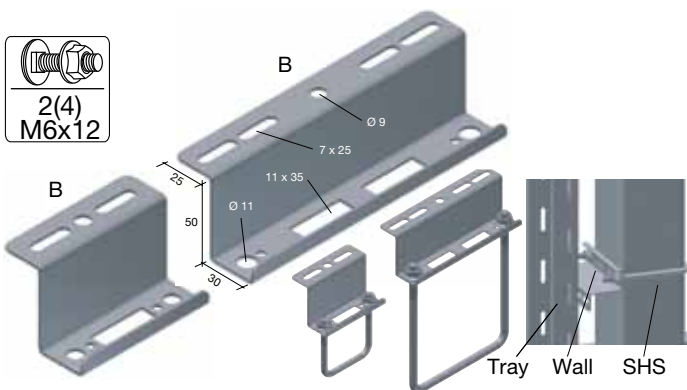
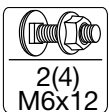


Vinkel / Angle Bracket

Enkelt vinkelbeslag for montering av stige til vegg.
Simple angle bracket for secure vertical fixing.

Type	PG Art. no.	HDG Art. no.	SS Art. no.	AL Art. no.
S-M AB-50x50-10/6	1372735	1372761	1371817	1372943

Distanse D fra stige til vegg 0-10 mm.
Distance D from ladder to wall 0-10 mm.



SPB veggbrakett SPB Wall Support Bracket

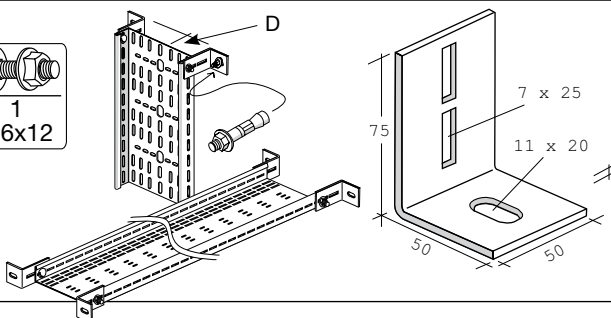
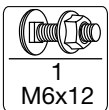
Type angir bredde B og type SHS den er tilpasset ved bruk av firkant U-bøyle.

Type states tray width B and type SHS it will fit using a square U-bolt. SHS: Square Hollow Section.

Type	Passer bredder Fits widths	HDG Art. no.	SS Art. no.	Weight incl. bolts SS (kg)
S-SPB SB-85-SHS-50	50/100	1302150	1371795	0,10
S-SPB SB-135-SHS-100	150/200	1302151	1371796	0,15
S-SPB SB-155-SHS-120	300/400	1302152*	1371797*	0,60
S-SPB SB-175-SHS-140	500/600	1302153*	1371798*	1,06

*) Består av to deler som kombineres.

Consist of two parts to be used in combination.

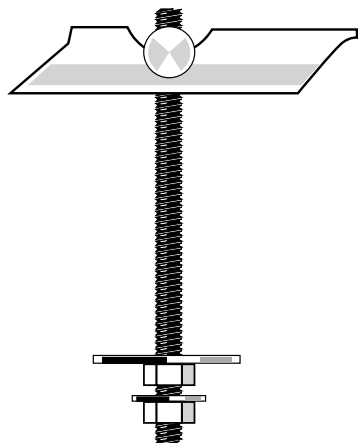


Avstandsbrakett Wall Distance Bracket

Type	PG Art. no.	HDG Art. no.	SS Art. no.	AL Art. no.
S-LOE WD	1304466	1304467	1304468	On request

Distanse D fra bane til vegg 20-35 mm.
Distance D from tray to wall 20-35 mm.

Oppheng i stålplatetak / Support for corrugated steel roof



Borehull Ø / Drill hole Ø:

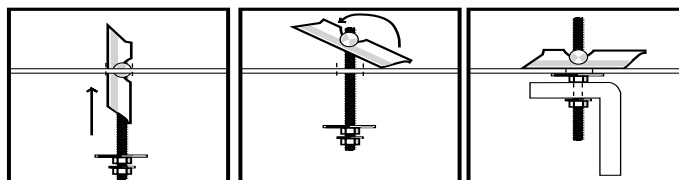
S-M TC-m6 = 16mm

S-M TC-m8 = 22mm

S-M TC-m10 = 25mm

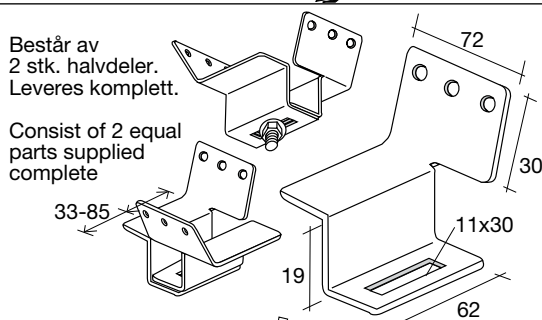
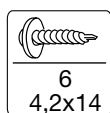
Vippeanker for oppheng i stålplatetak Toggle Clamp for corrugated steel roof

Type	PG Art. no:	Maks last/Max load:
S-M TC-M6x100	1372819	60 kg
S-M TC-M8x100	1372876	80 kg
S-M TC-M10x100	1372877	80 kg



Består av
2 stk. halvdelar.
Leveres komplett.

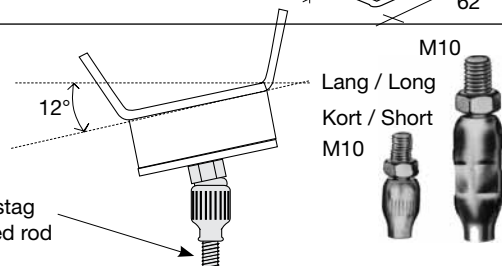
Consist of 2 equal
parts supplied
complete



Takplatevinkel justerbar Steel Roof Bracket adjustable

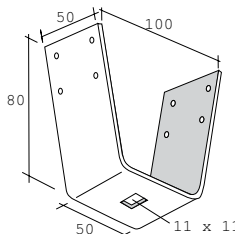
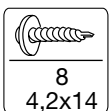
Type	PG Art. no.	HDG Art. no.
S-SPB SR-X	1372121	1372122

For M10 gjengestag
For M10 threaded rod



Pendeloppeng maks 12° Central Support max 12°

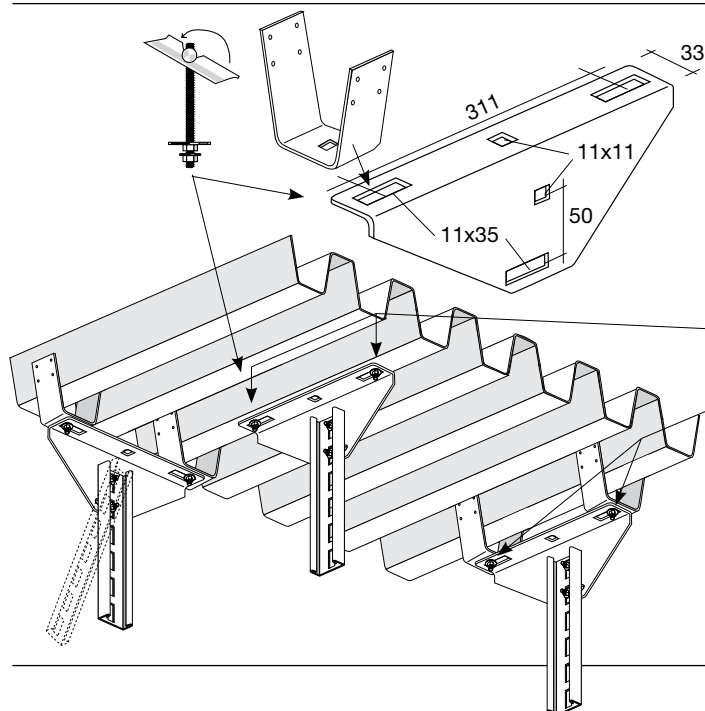
Type	Kort/Short Art. no.	Lang/Long Art. no.
S-SPB CS-M10	39896	12068



Takplatevinkel dobbel Ceiling Bracket double

Type	PG Art. no.	HDG Art. no.
S-SPB SR-100	1372136	On request

Standard 50 mm, eller etter ønske.
Standard 50 mm, other on request.



Takplatevinkel Ceiling Bracket

Type	PG Art. no.	HDG Art. no.	SS Art. no.
S-M SR-350	1304470	1304471	1304472

Vippeanker / Toggle Clamp

S-M TC-M10x100 Art. no. 1372877

2 standard M10x25 låsebolt/locking screw: Art. no. 1371980

Brukertips for tillaging av risere ved hjelp av vinkelbeslag

45° vinkelbeslag for SPB-LB bane: SPB-LB 40-RB, Art no 1301065

Best practice for using riser brackets to make risers

45° riser brackets for SPB-LB tray: SPB-LB 40-RB, Art no 1301065



Montasjeanvisning:

- 1.** Kapp ned til bunnen av banen på hver side av en utstansing.
- 2.** Kapp ut på langs jevnt med bunnen i banen. Gjør det samme på andre siden av banen.
- 3.** Nå kan banen bøyes til.
- 4.** Skru på braketten som gir 45° vinkel og klem flat enden på banens ombukk.
- 5.** Bildet viser løsning på en nivåforandring på bane. Løsningen gir en stabil og pent avrundet overflate.

How to use:

- 1.** Cut the side piece of the tray at each side of a slot.
- 2.** Cut along the length of the tray and remove the square piece. Repeat on the other side of the tray.
- 3.** Now the tray can be bended to a 45° angle.
- 4.** Fix the 45° riser bracket and flatten the top end of the side piece.
- 5.** The picture shows the final result. The solution is stabile and the surface is nicely rounded.

Rustfrie, syrefaste armaturskinner til bruk i parkeringsanlegg.

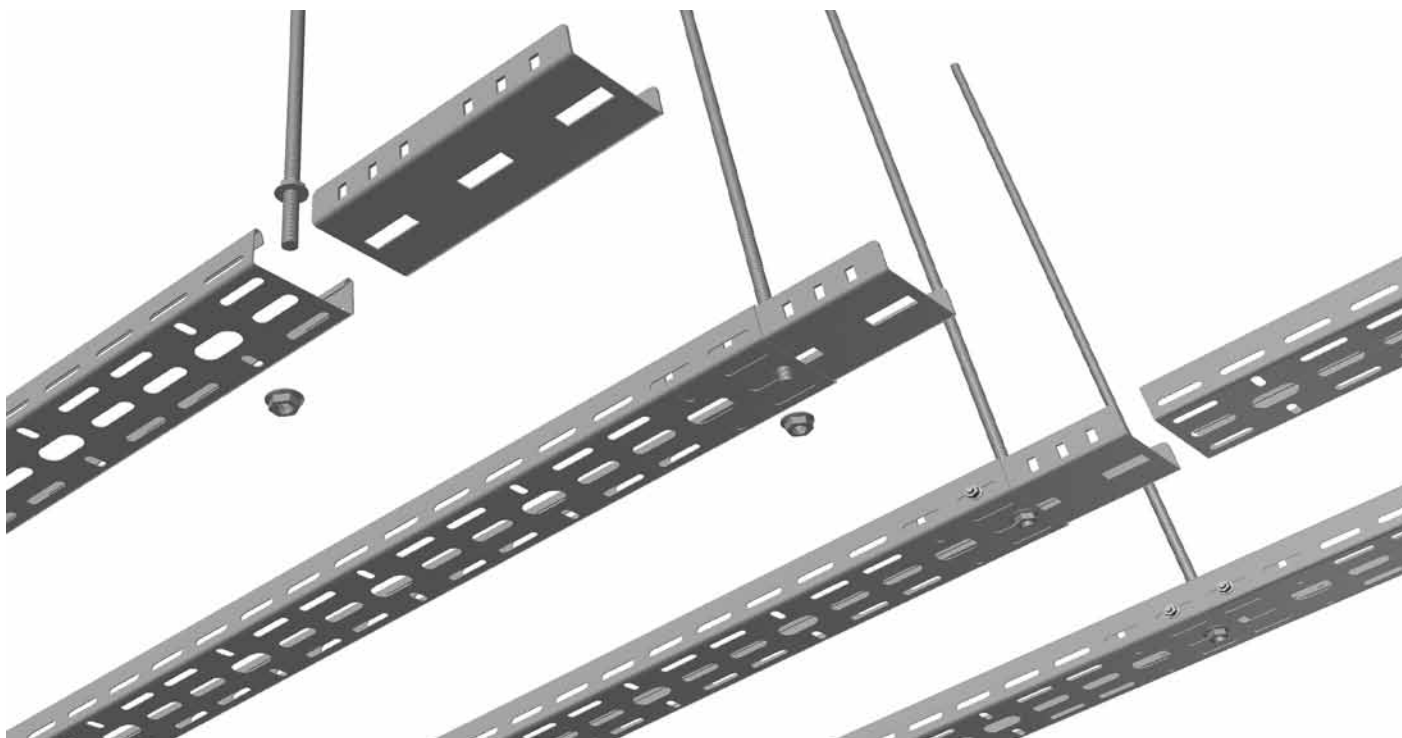
Se pendeloppheng på side 12 og Armaturbaneprogram side 4.

For glassfiberløsninger, vennligst be om vår FRP-katalog. FRP-produkter er anbefalt for bruk i svært korrosjonsaggressive miljøer som for eksempel i svømmehaller.

Stainless acid proof Lighting Trays for use in parking garages.

See central support on page 12 and Lighting tray range on page 4.

For solutions in fiber reinforced plastic, please ask for our FRP-catalogue. For applications in very corrosion aggressive environments like for example indoor swimming pools FRP products are recommended.



Montasjeanvisning:

1. Monter opp gjengestag med nøyaktig 3 meter avstand. (2,9 m på første spenn.)

2. En M10 mutter settes på 15mm inn på staget. Kabelbanen kan festes mot vegg eller ved at gjengestag går gjennom første senterhull. Sett på nederste mutter.

3. Andre og påfølgende stag tres gjennom bane og skjøtebeslag som blir litt forskjøvet i forhold til senter. Monter på mutter på undersiden og sett inn 2 stk M6x12 låsebolter i skjøtebeslag.

4. Tre på neste bane, fest med to M6x12 låsebolter og monter fast på gjengestag i den frie enden. Slik vil hver bane være festet i skjøtebeslaget i den ene enden og gjengestaget i den andre.

How to use:

1. Install threaded rods with exactly 3 meter space between them. (2.9 meter distance on the first span.)

2. Place one M10 nut 15mm from the end of the threaded rod. The tray can be fixed to the wall or supported by a rod through the centre hole at the start of the span.

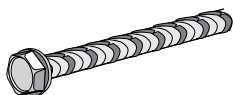
3. The second and the following rods are fixed to the trays and the splice connectors. Fix the bottom nut on the treaded rods and use two M6x12 locking bolts to fix the splice connectors.

4. Each tray is fixed to a splice connector in one end and a treaded rod and a splice connector in the other end.

Festemateriell:

Fixing products:

Betongkrue Excalibur Anchor Concrete Excalibur



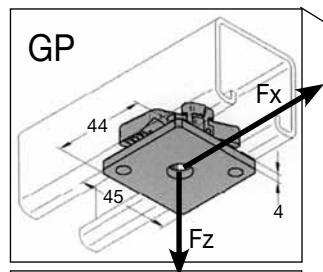
Type	Dimension	Std. packs	Betong 30	Betong 60	Safety x 3	Art. no.:
S-M AC-EXC-6x50		100	3,83 kN	4,33 kN		1306837
S-M AC-EXC-8x50		100	4,87 kN	6,83 kN		1306838
S-M AC-EXC-8x75		100	7,00 kN	9,50 kN		1306839
S-M AC-EXC-10x75		50	6,27 kN	9,67 kN		1306840
S-M AC-EXC-10x100		50	11,13 kN	16,00 kN		1306841

NB! Excaliburskruene krever bruk av slagtrekker.

Alternative slagtrekkere: Bosch GDS 14,4 / 18 V - Milwaukee PIW 14,4 V.

NB! Excalibur screws need use of impact wrench.

Alternative Impact Wrench: Bosch GDS 14,4 / 18 V - Milwaukee PIW 14,4 V.



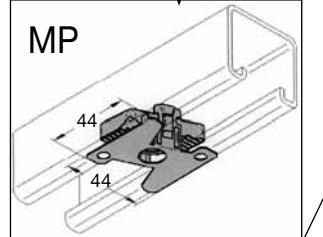
UNO hurtigmutter for skinne UNO-41 i PG / **UNO speed-nut** for channel UNO-41 in PG:

Type navn/name	Type/Dim.	Fx	Fz	Art. no.:
S-UNO-NU-M-1008	GP M8	4,4 kN	7,3 kN	1306842
S-UNO-NU-M-1010	GP M10	7,0 kN	10,6 kN	1306843

Ved montasje av gjengestag i mutter bruk type GP – husk kontramutter.

Using thread rod in nut use type GP – remember contra nut.

S-UNO-NU-M-1108	MP M8	4,4 kN	7,3 kN	1306844
S-UNO-NU-M-1110	MP M10	7,0 kN	10,6 kN	1306845



GJENGESTAG THREADED ROD

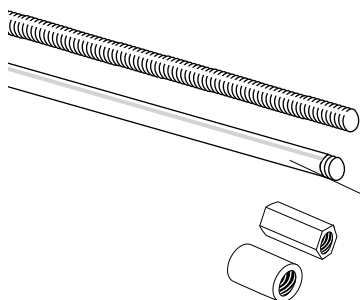
Type	PG Art. no.	HDG Art. no.	SS Art. no.
S-M TR-06-1000	1372752		
S-M TR-06-2000	1372753		
S-M TR-08-1000	1372754		
S-M TR-10-300	1372738		
S-M TR-10-500	1372739		
S-M TR-10-1000	1372747	1372743	1371416
S-M TR-10-2000	1372746	1372742	1371418
S-M TR-10-3000			1371419

Hvit plaststrømpe til gjengestag (metervis): M6 A-SPB CO-TR-6 1372734

White plastic cover for threaded rod (per meter): M10 A-SPB CO-TR-10 1372733

M6x32. Sjøtemutter / Splice Nut 1372828

M10x30. Sjøtemutter / Splice Nut 1301009



SKRUER FOR LOE/SPB-LB PRODUKTER / SCREWS FOR LOE/SPB-LB PRODUCTS:



For korrugerte ståltak
For corrugated steel roofs

SELVBORENDE SKRUER

SELF-TAPPING SCREWS Type:

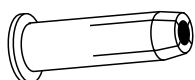
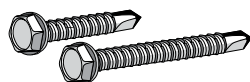
	Type:	Std. forpakk. STD. packs	PG. Art. no.	HDG Art. no.	SS Art. no.
4,2 x 13mm	S-M SC-SE-4,2x14	100	1372820		
4,2 x 25mm	S-M SC-SE-4,2x25	100	1372821		

SELVBORENDE syrefaste SKRUER.

SELF-TAPPING Stainless Steel SCREWS.

4,8 x 13 mm	MARUTEX S-M SC-SE-4,8x13				1371373
4,8 x 25 mm	Marutex S-M SC-SE-4,8x25				1371374

BITS: S-M SC-SE-BI-4,8 Art. no.1371375



For hulldekke-element
For concrete elements

Slaganker med krave / Wedge anchor with collar

Velegnet for hulldekke-element

Suitable for concrete elements with channels

Type Dim	Pakn.Packs	Art. no.	Dor M10 / Drift M10 Art. no.	
S-M WE-M10x40	50	1306850	1908372	
S-M WE-M12x50	50	1306851		



Ekspansjonsbolter / Expansion bolts

M10 x 60.	SM AC-10x60	50	1372769	1371365	1371370
M10 x 85.	SM AC-10x80	50		1371366	1371371

For skjøtelasker /
splice connectors

LOE 55/75 +

SPB-LB



LÅSESKRUER / LOCKING SCREWS / Self-Lock only in SS

m/linsehode og flensmutter / With pan head and flange nuts

M 6 x 12	SM LS-M6x12	200	1372750		1371981
M10 x 20	SM LS-M10x20	100			1371983
M10 x 25	SM LS-M0x25	100		1371980	

For oppheng / support LOE 55/75 and splice connectors LOE 100.

SKRUER / SCREWS TYPE

				BIT, paks / PG#DG / SS	PG, Art. no.	HDS, Art. no.	SS, Art. no.
<p>LÅSESKRUE LOCKING BOLT WITH infraskode og femmerter With pan head and flange nuts Self-Lock only in SS</p>	M 8 x 12*		B-M LS-PH-M8x12	200	1872758		1371881
	M 8 x 16*		B-M LS-PH-M8x16	200			34487
	M 8 x 20*		B-M LS-PH-M8x20	200			1371882
	M 8 x 25*		B-M LS-PH-M8x25	200	1872748		1371881
	M10 x 20*		B-M LS-PH-M10x20	100			1371888
	M10 x 25*		B-M LS-PH-M10x25	100		1872828	1371437
	M10 x 30*		B-M LS-PH-M10x30	50		1872828	1371882
<p>LÅSESKRUE LOCKING BOLT</p>	M 6 x 12*		B-M LS-M6x12	200	1872747		1372781
	M 6 x 16*		B-M LS-M6x16	200			34483
	M 6 x 20*	DIN 934	B-M LS-M6x20	200 / 100	1872748		1372782
	M 6 x 25*	DIN 934	B-M LS-M6x25	200 / 100	1872748		36528
	M10 x 20*		B-M LS-M10x20	200 / 100			1372788
	M10 x 25*		B-M LS-M10x25	100 / 50		1872795	
	M10 x 30*	DIN 934	B-M LS-M10x30	100 / 50		38821	
	M10 x 35*	DIN 934	B-M LS-M10x35	100		32708	
	M10 x 50*	DIN 934	B-M LS-M10x50	50		38822	
	M10 x 70*	DIN 934	B-M LS-M10x70	50		32888	
<p>HEKSAGONSKRUE HEXAGONAL BOLT</p> <p>Lengre utgaver leveres i DIN 931 deljenget. Longer lengths in DIN 931 partly threaded.</p>	M 6 x 12	DIN 931	B-M HE-M6x12	200			1372780
	M 6 x 16	DIN 931	B-M HE-M6x16	200	1872171		1371818
	M 6 x 20	DIN 931	B-M HE-M6x20	200	1872172		1371819
	M 6 x 25	DIN 931	B-M HE-M6x25	200			1371820
	M 8 x 20	DIN 931	B-M HE-M8x20	200		1872804	1371821
	M 8 x 25	DIN 931	B-M HE-M8x25	200		1872802	1371822
	M 8 x 30	DIN 931	B-M HE-M8x30	200		1872808	1371823
	M10 x 16	DIN 931	B-M HE-M10x16	100	1872178		1371824
	M10 x 20	DIN 931	B-M HE-M10x20	200 / 100		1872804	1371826
	M10 x 25	DIN 931	B-M HE-M10x25	200 / 100		1872806	1371828
	M10 x 30	DIN 931	B-M HE-M10x30	200 / 100		1872807	1371827
	M10 x 35	DIN 931	B-M HE-M10x35	100		1872807	1371828
	M10 x 45	DIN 931	B-M HE-M10x45	100		1872808	1371829
	M10 x 60	DIN 931	B-M HE-M10x60	100		1872808	1371830
	M10 x 65	DIN 931	B-M HE-M10x65	100 / 50		1872808	1371831
	M12 x 25	DIN 931	B-M HE-M12x25	100		1872811	1371832
	M12 x 35	DIN 931	B-M HE-M12x35	100		1872812	1371833
M12 x 45	DIN 931	B-M HE-M12x45	100 / 50		1872813	1371834	
	M10 x 40	DIN 931	B-M HE-M10x40	100		1872814	1371835
<p>LINNESKRUE PAN HEAD SCREW</p> <p>With Tors T30</p>	M 8 x 16	DIN 7935	B-M PG-M8x16	200	1872954		1372156
	M 8 x 20	DIN 7935	B-M PG-M8x20	200	1872942		1372157
	M 8 x 25	DIN 7935	B-M PG-M8x25	200	34564		1372158
	M 8 x 30	DIN 7935	B-M PG-M8x30	200	1872948		1372159
	M 8 x 40	DIN 7935	B-M PG-M8x40	100	1872938		1372160
	BITs for tors T30-convex	DIN-convex	Tors T30			1871417	
<p>FLENSMUTTERE FLANGE NUTS</p> <p>Self-Lock only in SS</p>	8mm	DIN 6829	B-M NU-FL-M8	200	1872848		1371871
	10mm	DIN 6829	B-M NU-FL-M10	200	1872834		1371872
	16mm	DIN 6829	B-M NU-FL-M16	200	1872832	1872838	1371873
	22mm	DIN 6829	B-M NU-FL-M22	200			1371883
<p>HEKSAGONMUTTERE HEXAGONAL NUTS</p>	M 8 x 16	DIN 934	B-M NU-M8	100	1872844		1372761
	M 8 x 20	DIN 934	B-M NU-M8	100		1872178	1371880
	M10 x 17	DIN 934	B-M NU-M10	100 / 50		1872846	1371881
	M12 x 18	DIN 934	B-M NU-M12	100 / 50		1872178	1371882
<p>SKRUE WASHERS</p> <p>Type-ordre</p> <p>Ø 10,5 x 20 x 2</p>	Ø 52x15x1,5	DIN 125	B-M WA-52x15x1,5	200			34584
	Ø 62x1,5	DIN 125	B-M WA-62x1,5	200			1372782
	Ø 62x1,5	DIN 125	B-M WA-62x1,5	200	1872176		1371888
	Ø 62x1,5	DIN 125	B-M WA-62x1,5	200	1872848		1371850
	Ø 62x1,5	DIN 125	B-M WA-62x1,5	200	1872848	1872846	1371851
	Ø 62x1,5	DIN 125	B-M WA-62x1,5	200			34585
	Ø 10,5x20x2	DIN 125	B-M WA-10,5x20x2	100		1872848	1371852
	Ø 12x20x2,5	DIN 125	B-M WA-12x20x2,5	100		1872848	1371853
	Ø 7x38x1,5		B-M WA-7x38x1,5	200			34582
	Ø 11x2x1		B-M WA-11x2x1	200			1371854
	Ø 7x38x2		B-M WA-7x38x2	200	1872854		
	Ø 10x20x2,5		B-M WA-10x20x2,5	200	34110		
<p>STJERNESKRUE STAR WASHERS</p>	M 6	DIN 6798	B-M SW-M6	200	1872852		1371855
	M 8	DIN 6798	B-M SW-M8	100			1371856
	M10	DIN 6798	B-M SW-M10	100	1872854		1371857
	M12	DIN 6798	B-M SW-M12	100	1872858		1371858
<p>BEKIMMINGSBOLTER CONCRETE ANCHOR BOLTS</p> <p>Kvalitet: V.G. = 5.8 Qualität: S.S. = A4-70 P.G. = 6.8</p>	M 6 x 40		B-M AC-6x40	100	1872947		1371860
	M 8 x 50		B-M AC-8x50	100			1371861
	M 8 x 60		B-M AC-8x60	100	1872948		
	M 8 x 80		B-M AC-8x80	100		1872854	
	M10 x 60		B-M AC-10x60	50	1872948	1872856	1371870
	M10 x 80		B-M AC-10x80	50		1872858	1371871
	M12 x 110		B-M AC-12x110	25			38883
<p>SELVBORENDE SKRUE SELF-TAPPING STEEL SCREWS</p> <p>1 HDS-pakke / SELF-TAPPING SCREWS in packs of 100</p> <p>innskruer i 1 mm utslipstidspunkt 4,2 x 13mm 32-PH 188417</p> <p>innskruer i 3 mm utslipstidspunkt 4,2 x 16mm 34-PH 1872859</p> <p>innskruer i 5 mm utslipstidspunkt 4,2 x 19mm 36-PH 1872821</p>							
<p>SELVBORENDE RUSTFRI SKRUE / SELF-TAPPING STAINLESS STEEL SCREWS</p> <p>For opp til 2,5mm utslipstidspunkt For opp til 2,5mm utslipstidspunkt innskruer i 1mm utslipstidspunkt</p>	4,8 x 13 mm	MINIFLEX M4,2x13 SS in A2 quality		100			1371873
	4,8 x 16 mm	MINIFLEX M4,2x16 SS in A2 quality		100			1371874

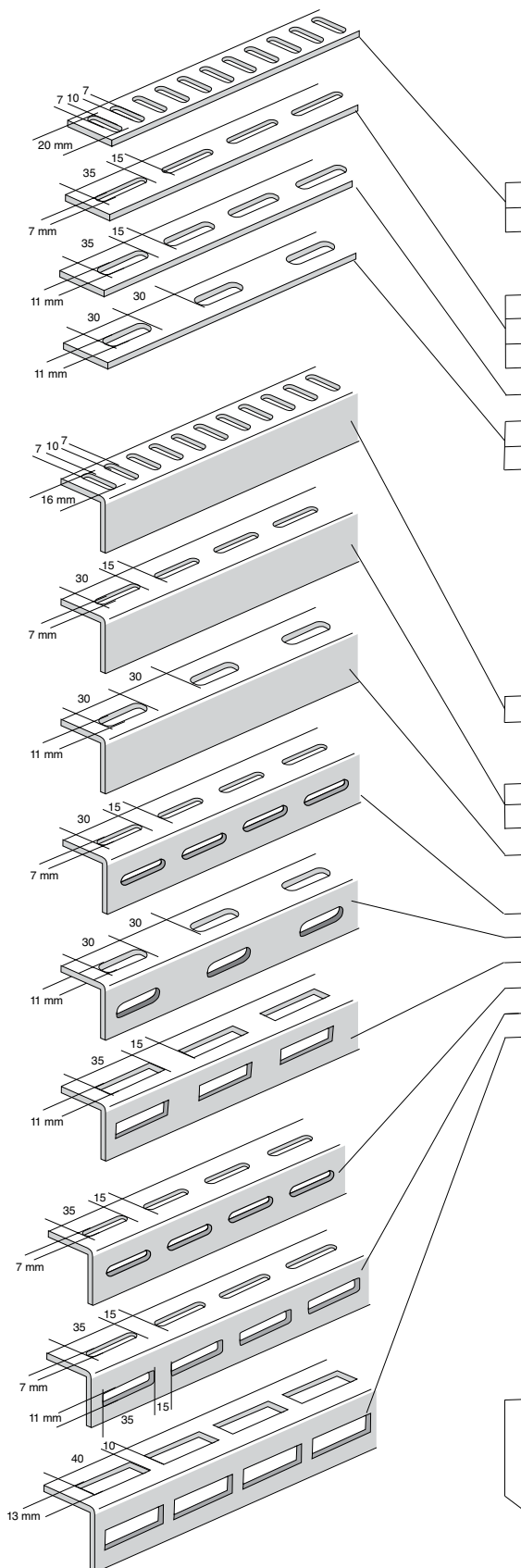
PR = Primet / Primed
 HDG = Varmgalv./ Hot Dip Galvanized
 SS = Rustfritt stål / Stainless Steel EN 1.4404
 ALU = Aluminium

Perforerte profiler

Benyttes til diverse oppheng og feste for baner, stiger og annen utrustning. Videre til skapskinner, tavlebygging ol.
 Leveres i 3m lengder.

Perforated Profiles

For various support of trays, ladders and electrical installations.
 Available in 3m lengths.



Flattstål / Flat Iron

Perforert på tvers / Crosswise perforated

Type	PR Art. no.	HDG Art. no.	SS Art. no.	ALU Art. no.	Weight HDG (kg)
FI-CW-7x20-30x5x3000	1372104	1372130			2,6
FI-CW-7x20-40x5x3000	1372105	1372131			3,8
FI-CW-7x20-50x4x3000	1372101	1372103			4,0

Perforert på langs / Lengthwise perforated

Type	PR Art. no.	HDG Art. no.	SS Art. no.	ALU Art. no.	Weight SS (kg)
FI-LW-7x35-25x5x3000	1372107	1372111	1371930		2,4
FI-LW-7x35-30x5x3000	1372108	1372112	1371931	78173	3,0
FI-LW-7x35-40x5x3000	1372109	1372113	1371932	78229	4,2
FI-LW-7x35-50x5x3000	1372110	1372114	1371933		5,5
FI-LW-11x35-40x5x3000	81477	81484	86858		3,9
FI-LW-11x30-50x5x3000		81485	1371935		5,4
FI-LW-11x30-40x6x3000			1371984		5,0
FI-LW-11x30-40x8x3000	1372100	1372102			6,6

Vinkelstål / Angle Iron

Perforert på tvers / Crosswise perforated

Type	PR Art. no.	HDG Art. no.	SS Art. no.	ALU Art. no.	Weight HDG (kg)
AI-CW-7x16-30x30x3x3000	1372132	1372134	1371942	78228	3,9
AI-CW-7x16-40x40x4x3000	1372133	1372140	1371943		6,9

Perforert på langs / Lengthwise perforated

Type	PR Art. no.	HDG Art. no.	SS Art. no.	ALU Art. no.	Weight SS (kg)
AI-LW-7x30-30x30x3x3000	1372115	1372117	1371939		3,9
AI-LW-7x30-40x40x4x3000	1372116	1372118	1371940		6,9
AI-LW-7x30-50x50x3x2000				78045	1,5*
AI-LW-11x30-50x50x5x3000	1372119	1372120	1371941		10,7

Perforert dobbelt på langs / Double lengthwise perforated

Type	PR Art. no.	HDG Art. no.	SS Art. no.	ALU Art. no.	Weight SS (kg)
AI-LW-7x30-40x40x4x3000			1371945		6,6
AI-LW-11x30-50x50x5x3000		78662	1371946		10,1
AI-LW-11x35-49x49x4x3000**		88349	88348		7,4
AI-LW-7x35-49x49x4x3000**		88347	88342		7,9
AI-LW-7x35/11x35-49x49x4x3000**		88346	88344		7,7
AI-LW-13x40-54x54x4x3000**			88351		7,8

*) Weight in ALU

**) Eksakte lengder opp til 3m (i 100mm steg) leveres på forespørsel.
 Predefined lengths up to 3m (in 100mm steps) are supplied on request.

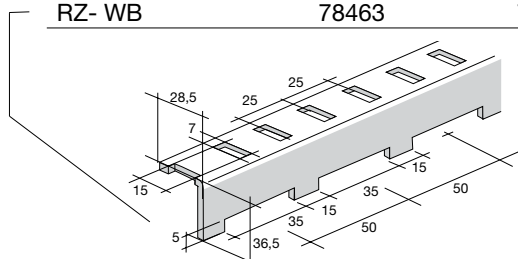
Sveiseprofil for tubingklammer

For rask og enkel tubing installasjon med ETIN tubingklammer.
 Leveres i lengder på 3m.

Welding Channel for tubing clamps

For quick and easy tubing installation with ETIN tubing clamp.
 Available in 3m lengths.

Type	PG Art. no.	HDG Art. no.	SS Art. no.	ALU Art. no.	Weight SS (kg/m)
RZ- WB	78463		78497		1



LOCATIONS

HOLDING COMPANY

Øglaend Industrier AS
P.O. Box 133
NO-4358 Kleppe
Tel.: + 47 51 78 81 00
Fax: + 47 51 78 81 60
www.oglaend-system.com

SUBSIDIARY

Norway
Øglaend System AS
P.O. Box 133
NO-4358 Kleppe
Tel.: + 47 51 78 81 00
Fax: + 47 51 78 81 60
Fax sales office: + 47 51 78 81 61
Email: oglaend@oglsys.no
www.oglaend-system.com

Denmark

Øglaend System AS
Tel.: +45 86 88 66 66
Fax: +45 86 88 66 67
Email: oglaend-system@oglsys.dk

Dubai (Middle East)

Øglaend Industries Middle East
Tel.: + 971 4 887 8134
Fax: + 971 4 887 8143
Mobile: + 971 50 55 86 183
Email: sales@oglaend.ae

Malaysia

Øglaend Industries SDN BHD
Tel.: + 60 3 51 922 049
Fax: + 60 3 51 922 039
Mobile: + 60 1 26 85 57 65
Email: sales@oglaendind.com
fraser@oglaendind.com

The Netherlands

Øglaend System BV
Tel.: + 31 1804 14 204
Fax: + 31 1804 19 395
Email: rfq@oglaend-system.nl

Russia (St. Petersburg)

Øglaend System Russia
Tel.: +7(812) 313 1580
Fax: +7(812) 313 1580
Email: info@oglsys.ru
www.oglaend-system.ru

Singapore (South East Asia)

Øglaend System Singapore Pte. Ltd.
Tel.: + 65 67 48 82 78
Fax: + 65 67 48 86 15
Email: oglaend.system@pacific.net.sg

Sweden

Øglaend System AB
Tel.: + 46 40 45 74 60
Fax: + 46 40 45 67 25
Email: oglaend-system@oglsys.se

UK

Øglaend System UK Ltd.
Tel.: + 44 121 552 9662
Fax: + 44 121 544 6627
Email: oglaend.system@oglsys.co.uk

USA

Øglaend System USA
Tel.: +1 832 288 4452
Email: sales@oglsys-us.com

Korea

Øglaend System Korea Co Ltd
Tel.: + 82 518 320 761
Fax: + 82 518 320 762
Email: oglaend@oglaend-system.co.kr

SALES OFFICES

Norway
Øglaend System AS, Division Oslo:
Tel.: + 47 22 25 15 10
Fax: + 47 22 25 25 21

Øglaend System AS, Division Ålesund:
Tel.: + 47 70 19 09 50
Fax: + 47 70 19 09 51

Øglaend System AS, Division Trondheim:
Tel.: + 47 73 80 99 70
Fax: + 47 73 80 99 77

AGENTS - DISTRIBUTORS

Abu Dhabi

Proserv Albadi LLC
Tel.: + 971 26 27 73 70
Fax: + 971 29 27 79 72
Email: proserv@emirates.net.ae
www.proserv.no

Australia

J. T. Day Pty. Ltd.
Tel.: + 61 8 9303 2248
Fax: + 61 8 9303 2446
Email: enquiries@jtday.com.au
www.jtday.com.au

Brazil

M.O.TECH do Brazil
Tel.: + 55 21 2532 2101
Fax: + 55 21 2517 2437
Email: motech@motech.com.br
www.motech.com.br

Brunei

Shinba Integrated Engineering Services
Tel.: + 673 333-1489
Fax: + 675 333-6333
Email: info@shinbaies.com

Canada

Apel/CSA Enterprises
Tel.: + 1 902 450 5647
Fax: + 1 902 450 5286
Email: urquhart@csarep.com
www.csarep.com

NOSO Ltd.

Tel.: + 1 709 782 2645
Fax: + 1 709 782 0534
Email: mshinkle@coil.ca
www.noso.ca

Finland

Elmarino - Shipping OY
Tel.: + 358 22 54 61 00
Fax: + 358 22 54 62 76

Finn H&T Group Oy
Tel.: +358 45 630 4004
Fax: +358 3 5752550
Email: teppo.kuivanen@finnhtgroup.fi
www.finnhtgroup.fi

Iceland

Smith & Norland
Tel.: + 354 52 03 000
Fax: + 354 52 03 011
Email: sminor@sminor.is
www.sminor.is

Indonesia

PT. Multi Tarex Mulia
Tel.: + 62 21 3983 5337
Fax: + 62 21 3983 5340
Email: agus@multitarex.co.id
www.multitarex.com

Italy

Piemme Broker S.R.L.
Tel.: +39 02 906 33621
Fax: +39 02 906 32036
Email: m.maiani@pmbroker.it
www.pmbroker.it

Malaysia

Offshore Industries Sdn Bhd
Tel.: + 60 3-9284 0613
Fax: + 60 3-9284 1051
Email: oisbkl@tm.net.my

Poland

Nd Service Sp. Z.O.O.
Tel.: + 48 665 070 111
Email: wojciech.pedzich@ndservice.pl
www.ndservice.pl

Thailand

Probity International Co Ltd.
Tel.: + 66 2 710 6146 Ext. 107
Fax: + 66 2 710 6147
Email: ak@probity.co.th
www.probity.co.th

The Baltic States

Bastini OÜ
Tel.: + 372 660 5811
Fax: + 372 660 5812
Email: sales@bastini.ee

Vietnam

MT Corp.
Tel.: + 848 821 0373
Fax: + 848 821 0358
Email: mail@mt-co.com



- * HEAD OFFICE AND FACTORY
- SUBSIDIARIES
- AGENTS - DISTRIBUTORS
- ▲ SALES OFFICES
- x FABRICATION FACILITIES

SIMPLY THE BEST!

Dette har vært vårt motto helt siden firmaet ble grunnlagt i 1977.

Ved å følge dette mottoet har vi blitt markedslederen innen våre felt – globalt.

Øglænd Systems mål er å utvikle systemer som er de beste, enkleste og mest økonomiske på markedet.

This has been our motto since the company was founded in 1977. By living up to the motto we have become the market leader in our field – worldwide.

Oglaend System's goal is to develop systems that are better, simpler and more economic overall.



Konsern/Holding company:
Øglænd Industrier AS

Datterselskap/Subsidiary:
Øglænd System AS
Hovedkontor fabrikk/Head Office factory:
P.O. box 133, NO-4358 Kleppe,
Tel.: +47 51 78 81 00, Fax: (47) 51 78 81 60
Fax sales office: +47 51 78 81 61